



ECOSYS P2235dn
ECOSYS P2235dw
ECOSYS P2040dn
ECOSYS P2040dw
ECOSYS M2135dn
ECOSYS M2635dn
ECOSYS M2635dw
ECOSYS M2735dw
ECOSYS M2040dn
ECOSYS M2540dn
ECOSYS M2540dw
ECOSYS M2640idw
PF-1100

PARTS LIST

Published in June 2018
Rev.6

ECOSYS P2040dw
ECOSYS M2540dw
ECOSYS M2640idw
PF-1100

パーツリスト

2018年6月 改訂版
Rev.6

Items listed in the revision columns are defined as follows.

Item	Description
Add	Add a new part
Del	Delete a part
Design-chg.	A design changed part (Parts number version up)
Part No.-chg.	A part number is changed to other one.
Quantity-chg.	Change Quantity of parts to use
Others	Other changes

Revision history

Rev.	Date	Remarks
1	November 2016	Design change
2	June 2017	Design change
3	January 2018	Design change
4	February 2018	Design change
5	February 2018	Correction
6	June 2018	Design change

Symbols in the parts list

- Parts without a Ref.No. in the illustration indicate they are not supplied.
- Parts with a Ref.No. of 500 and above in the illustration indicate they are not selected for service parts.
- Parts with "*" are component parts or sub-assemblies of the assembly appearing immediately above them.
- Parts with "**" are component parts or sub-assembly with "*" appearing immediately above them.

<Notation of products>

For the purpose of this parts list, products are identified as following.

PRINTER

ECOSYS P2235dn : 35ppm(A4),37ppm(Letter)(B)

ECOSYS P2235dw : 35ppm(A4),37ppm(Letter)(C)

ECOSYS P2040dn : 40ppm(A4)(A)

ECOSYS P2040dw : 40ppm(A4),42ppm(Letter)(B)

MFP

ECOSYS M2135dn : 35ppm(A4),37ppm(Letter)(A)

ECOSYS M2635dn : 35ppm(A4)(BF)

ECOSYS M2635dw : 35ppm(A4),37ppm(Letter)(CF)

ECOSYS M2735dw : 35ppm(A4)(DF)

ECOSYS M2040dn : 40ppm(A4),42ppm(Letter)(A)

ECOSYS M2540dn : 40ppm(A4)(BF)

ECOSYS M2540dw : 40ppm(A4),42ppm(Letter)(CF)

ECOSYS M2640idw : 40ppm(A4),42ppm(Letter)(DF)

改訂欄記載項目の内容は以下の通りです。

記載項目	内容
Add	新規部品の追加
Del	部品の削除
Design-chg.	部品の設定（版数アップ）
Part No.-chg.	部品番号の変更
Quantity-chg.	部品の個数変更
Others	その他の変更

改訂履歴

Rev.	改訂日	備考
1	2016年11月	設変対応
2	2017年6月	設変対応
3	2018年1月	設変対応
4	2018年2月	設変対応
5	2018年2月	誤記訂正
6	2018年6月	設変対応

記号の見方

イラスト中で Ref 番号がない部品は供給できません。

イラスト中で 500 番台の Ref 番号が付いている部品はサービスパーツに選定されていません。

部品番号欄の・印は、組立部品の単品部品及び準組立部品を表わします。

部品番号欄の**印は、準組立部品の単品部品を表わします。

<本体機種区別表記>

パーツリスト中の本体機種区別は、以下の様に記載します。

PRINTER

ECOSYS P2040dw : 40ppm(A4),42ppm(Letter)(B)

MFP

ECOSYS M2540dw : 40ppm(A4),42ppm(Letter)(CF)

ECOSYS M2640idw : 40ppm(A4),42ppm(Letter)(DF)

**ECOSYS P2235dn/ECOSYS P2235dw/ECOSYS P2040dn/
ECOSYS P2040dw/ECOSYS M2135dn/ECOSYS M2635dn/
ECOSYS M2635dw/ECOSYS M2735dw/ECOSYS M2040dn/
ECOSYS M2540dn/ECOSYS M2540dw/ECOSYS M2640idw**

FIG. 1 Covers (MFP)

2RV/2RW/2RX/2RY/2S0/2S1/2S2/2SG/2S3/2SH/2S4/2S5

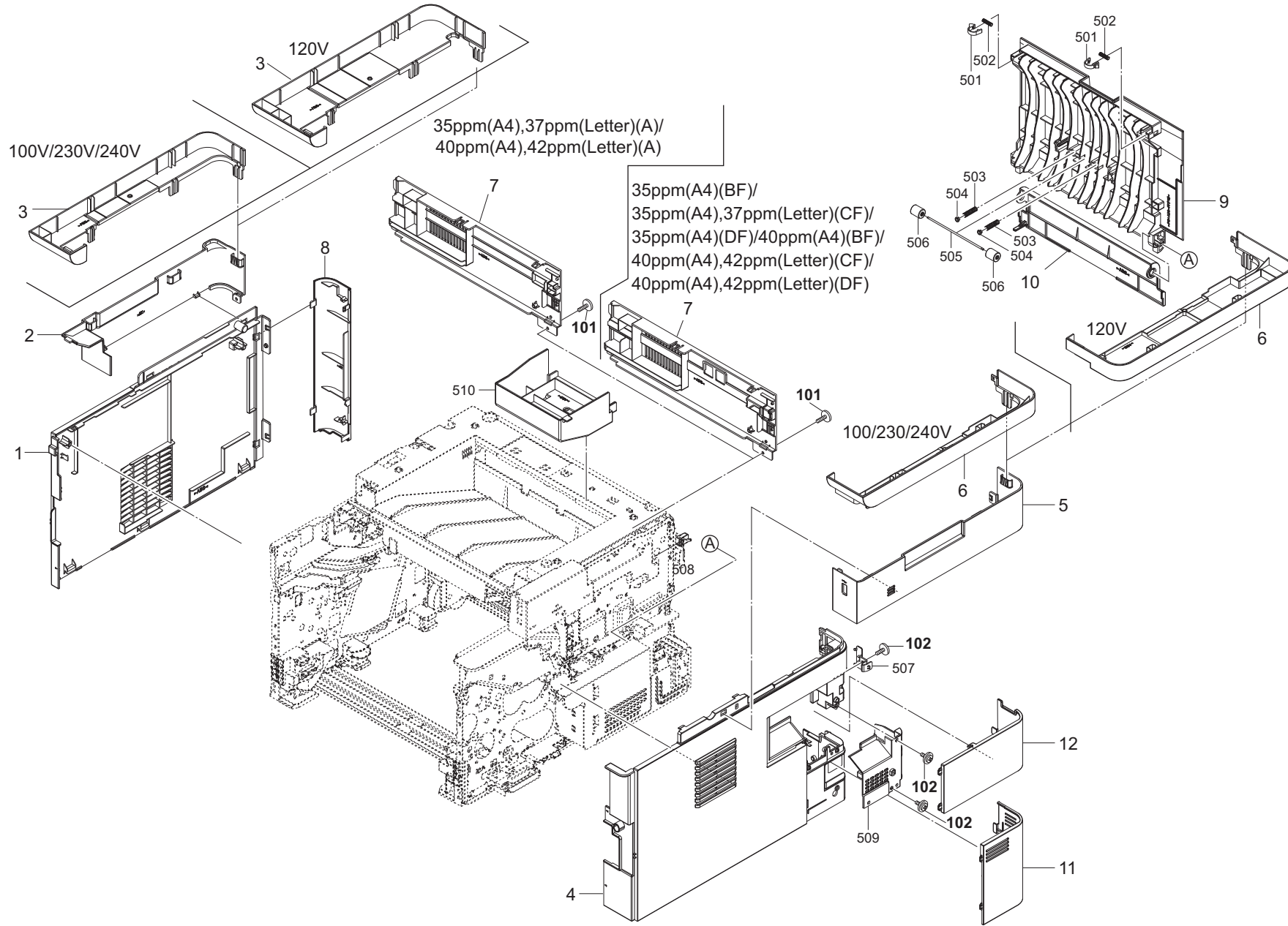


FIG. 1 Covers (MFP)

2RV/2RW/2RX/2RY/2S0/2S1/2S2/2SG/2S3/2SH/2S4/2S5-2

Ref. No. 番号	Part.No. 部品番号	Description 部品名称	Notes 備考	Revision 改訂	Quantity 個数			
					100(日本)	120	230	240
1	302S004031	COVER LEFT		2:Design-chg.	1	1	1	1
2	302S004070	COVER LEFT UP			1	1	1	1
3	302S004100	COVER ISU LEFT			1		1	1
3	302S004170	COVER ISU LEFT LGL				1		
4	302S004040	COVER RIGHT			1	1	1	1
5	302S004080	COVER RIGHT UP			1	1	1	1
6	302S004110	COVER ISU RIGHT			1		1	1
6	302S004180	COVER ISU RIGHT LGL				1		
7	302S004090	COVER REAR UP				1	1	1
7	302S404020	COVER REAR UP FAX	35ppm(A4),37ppm(Letter)(A)/40ppm(A4),42ppm(Letter)(A) 35ppm(A4)(BF)/35ppm(A4),37ppm(Letter)(CF)/35ppm(A4)(DF)/ 40ppm(A4)(BF)/40ppm(A4),42ppm(Letter)(CF)/ 40ppm(A4),42ppm(Letter)(DF)		1	1	1	1
8	302RV04080	COVER LEFT REAR			1	1	1	1
9	302RV28090	COVER REAR			1	1	1	1
10	302RV28110	COVER CASSETTE REAR			1	1	1	1
11	302S004210	COVER RIGHT REAR			1	1	1	1
12	302S004200	COVER DIMM			1	1	1	1
101	7BB607310H	+TP-CUP M SCREW 3X10 R						
102	7BB202308H	+TP-FLAT T.T P SCREW 3X8						

• Parts with a Ref.No. of 500 and above in the illustration indicate they are not selected for service parts.

• イラスト中で 500 番台の Ref 番号が付いている部品はサービスパーツに選定されていません。

FIG. 2 Covers (PRINTER)

2RV/2RW/2RX/2RY/2S0/2S1/2S2/2SG/2S3/2SH/2S4/2S5

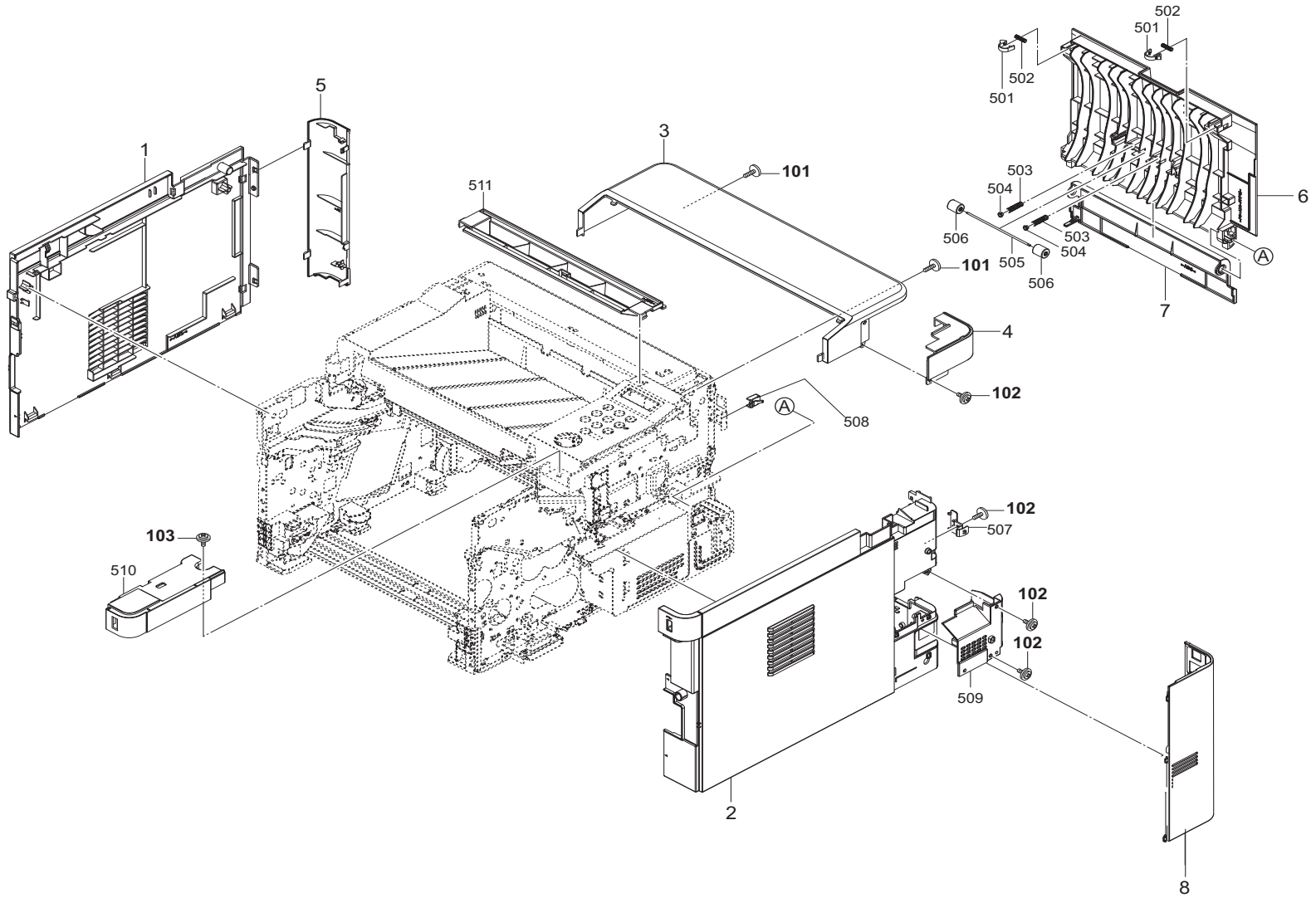


FIG. 2 Covers (PRINTER)

2RV/2RW/2RX/2RY/2S0/2S1/2S2/2SG/2S3/2SH/2S4/2S5-2

Ref. No. 番号	Part.No. 部品番号	Description 部品名称	Notes 備考	Revision 改訂	Quantity 個数			
					100(日本)	120	230	240
1	302RV04031	COVER LEFT		2:Design-chg.	1	1	1	1
2	302RV04040	COVER RIGHT			1	1	1	1
3	302RV04070	COVER TOP REAR			1	1	1	1
4	302RV04100	COVER WIFI			1	1	1	1
5	302RV04080	COVER LEFT REAR			1	1	1	1
6	302RV28090	COVER REAR			1	1	1	1
7	302RV28110	COVER CASSETTE REAR			1	1	1	1
8	302RV04060	COVER RIGHT REAR			1	1	1	1
101	7BB607310H	+TP-CUP M SCREW 3X10 R						
102	7BB202308H	+TP-FLAT T.T P SCREW 3X8						
103	7BB282308H	+TP-FLAT T.T P SCREW 3X8(BLACK)						

• Parts with a Ref.No. of 500 and above in the illustration indicate they are not selected for service parts.

・イラスト中で 500 番台の Ref 番号が付いている部品はサービスパーツに選定されていません。

FIG. 3 Front Covers (MFP)

2RV/2RW/2RX/2RY/2S0/2S1/2S2/2SG/2S3/2SH/2S4/2S5-1

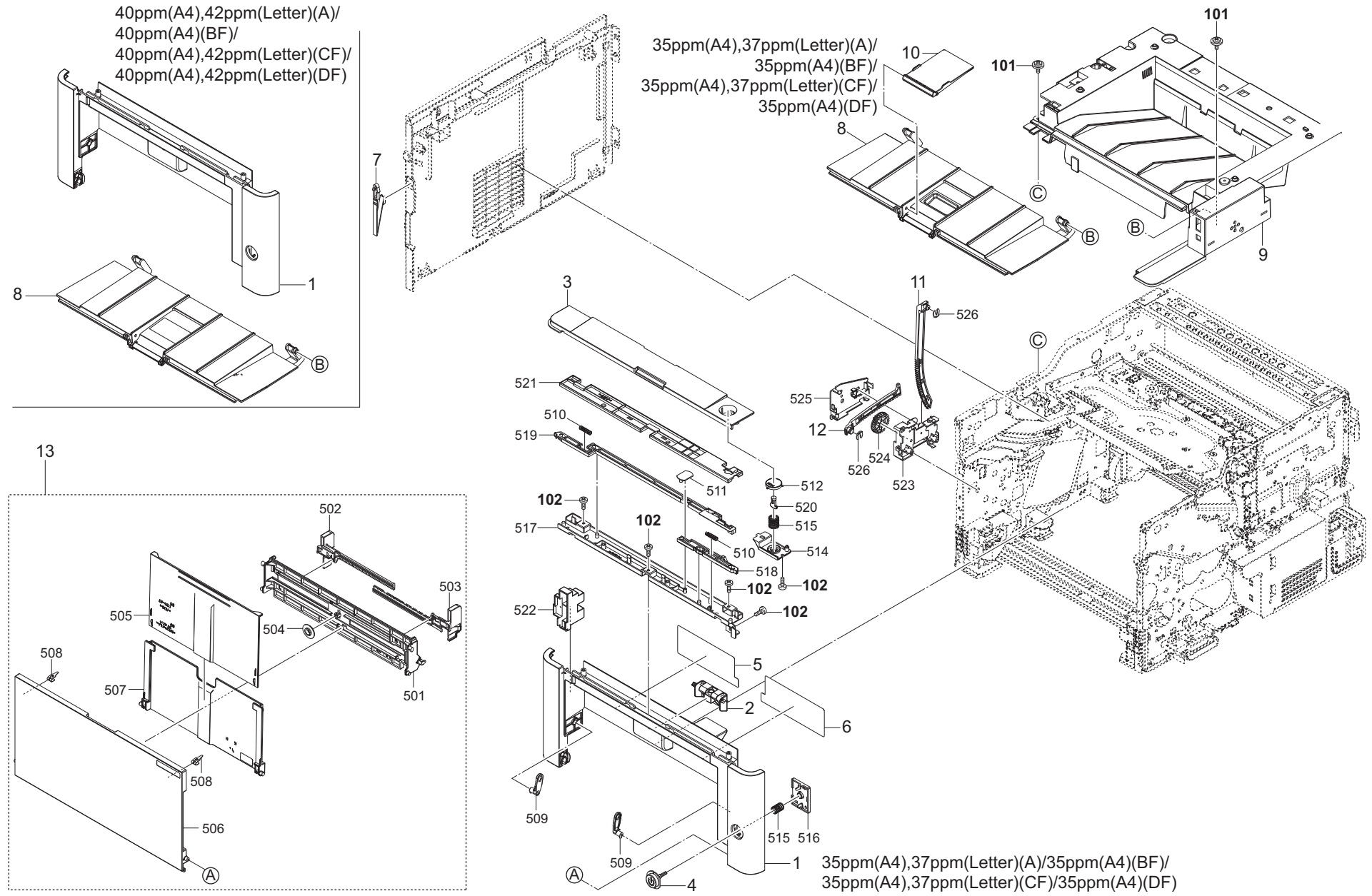


FIG. 3 Front Covers (MFP)

2RV/2RW/2RX/2RY/2S0/2S1/2S2/2SG/2S3/2SH/2S4/2S5-2

Ref. No. 番号	Part.No. 部品番号	Description 部品名称	Notes 備考	Revision 改訂	Quantity 個数			
					100(日本)	120	230	240
1	302S004050	COVER FRONT	35ppm(A4),37ppm(Letter)(A)/35ppm(A4)(BF)/ 35ppm(A4),37ppm(Letter)(CF)/35ppm(A4)(DF)			1	1	1
1	302S404060	COVER FRONT	40ppm(A4),42ppm(Letter)(A)/40ppm(A4)(BF)/ 40ppm(A4),42ppm(Letter)(CF)/40ppm(A4),42ppm(Letter)(DF)		1	1	1	1
2	302RV04160	LEVER CONTAINER			1	1	1	1
3	302S004060	COVER FRONT UP			1	1	1	1
4	302RV04150	KEY POWER			1	1	1	1
5	302RV34070	LABEL JAM OPERATION			1	1	1	1
6	302RV34080	LABEL CONTAINER OPERATION			1	1	1	1
7	302RV04370	STRAP COVER FRONT			1	1	1	1
8	302S004020	LID TOP	35ppm(A4),37ppm(Letter)(A)/35ppm(A4)(BF)/ 35ppm(A4),37ppm(Letter)(CF)/35ppm(A4)(DF)			1	1	1
8	302S404010	LID TOP	40ppm(A4),42ppm(Letter)(A)/40ppm(A4)(BF)/ 40ppm(A4),42ppm(Letter)(CF)/40ppm(A4),42ppm(Letter)(DF)		1	1	1	1
9	302S004011	COVER TOP		2:Design-chg.	1	1	1	1
10	302RV04220	STOPPER			1	1	1	1
11	302S002030	RACK LID			1	1	1	1
12	302RV02420	RACK FRONT			1	1	1	1
13	302RV94010	PARTS TRAY MPF ASSY SP			1	1	1	1
101	7BB782308H	+TP-FLAT T.T P SCREW 3X8(BLACK)						
102	7BB200308H	+BIND T.T P SCREW 3X8						

• Parts with a Ref.No. of 500 and above in the illustration indicate they are not selected for service parts.

• イラスト中で 500 番台の Ref 番号が付いている部品はサービスパーツに選定されていません。

FIG. 4 Front Covers (PRINTER)

2RV/2RW/2RX/2RY/2S0/2S1/2S2/2SG/2S3/2SH/2S4/2S5-1

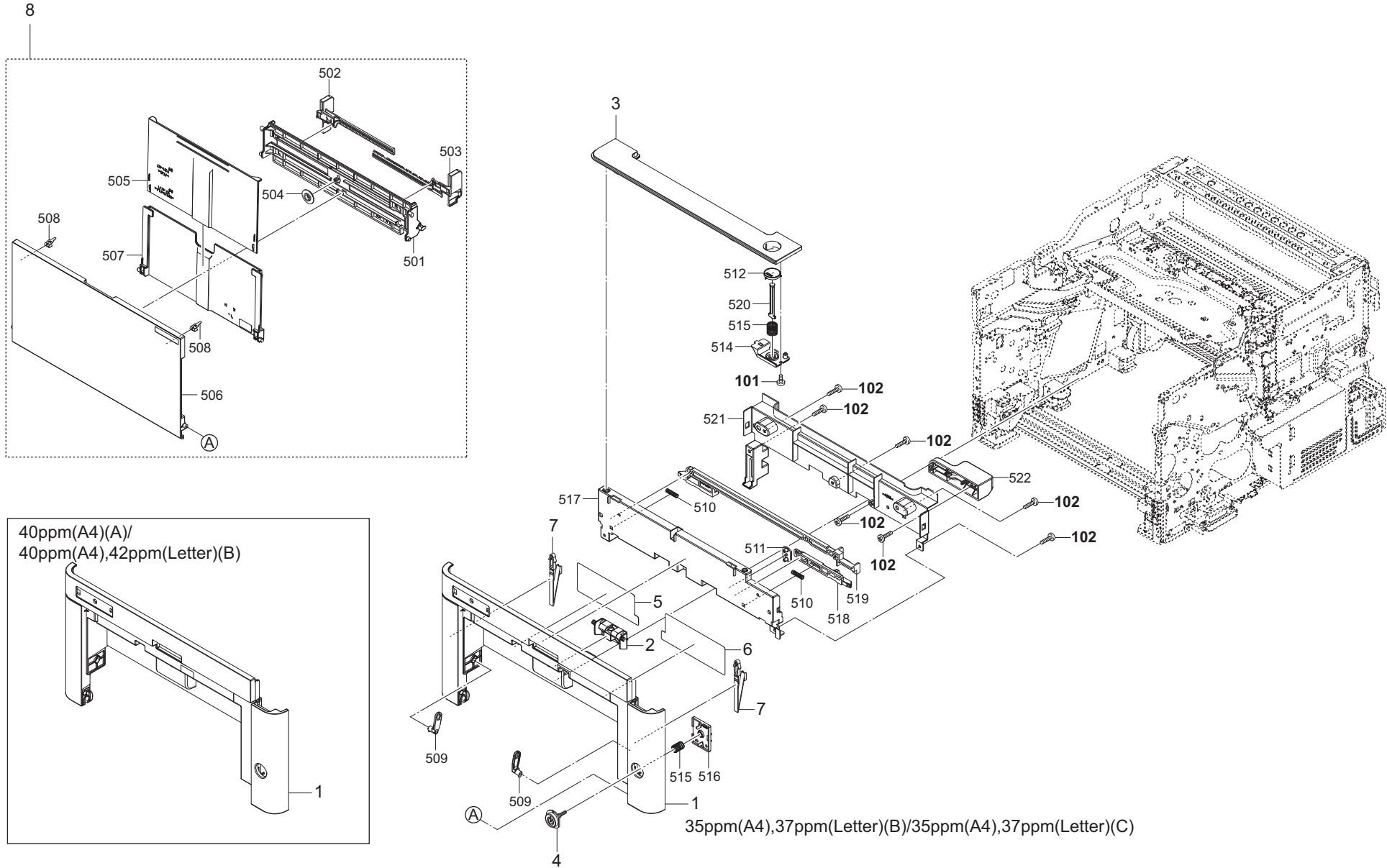


FIG. 4 Front Covers (PRINTER)

2RV/2RW/2RX/2RY/2S0/2S1/2S2/2SG/2S3/2SH/2S4/2S5-1

Ref. No. 番号	Part.No. 部品番号	Description 部品名称	Notes 備考	Revision 改訂	Quantity 個数			
					100(日本)	120	230	240
1	302RV04050	COVER FRONT	35ppm(A4),37ppm(Letter)(B)/35ppm(A4),37ppm(Letter)(C) 40ppm(A4)(A)/40ppm(A4),42ppm(Letter)(B)	1:Others		1	1	1
1	302RX04020	COVER FRONT			1	1	1	
2	302RV04160	LEVER CONTAINER			1	1	1	1
3	302RV04130	COVER FRONT UP			1	1	1	1
4	302RV04150	KEY POWER			1	1	1	1
5	302RV34070	LABEL JAM OPERATION			1	1	1	1
6	302RV34080	LABEL CONTAINER OPERATION			1	1	1	1
7	302RV04370	STRAP COVER FRONT			2	2	2	2
8	302RV94010	PARTS TRAY MPF ASSY SP			1	1	1	1
101	7BB200308H	+BIND T.T P SCREW 3X8						
102	7BB200312H	+BIND T.T P SCREW 3X12						

• Parts with a Ref.No. of 500 and above in the illustration indicate they are not selected for service parts.

• イラスト中で 500 番台の Ref 番号が付いている部品はサービスパーツに選定されていません。

FIG. 5 Labels

2RV/2RW/2RX/2RY/2S0/2S1/2S2/2SG/2S3/2SH/2S4/2S5

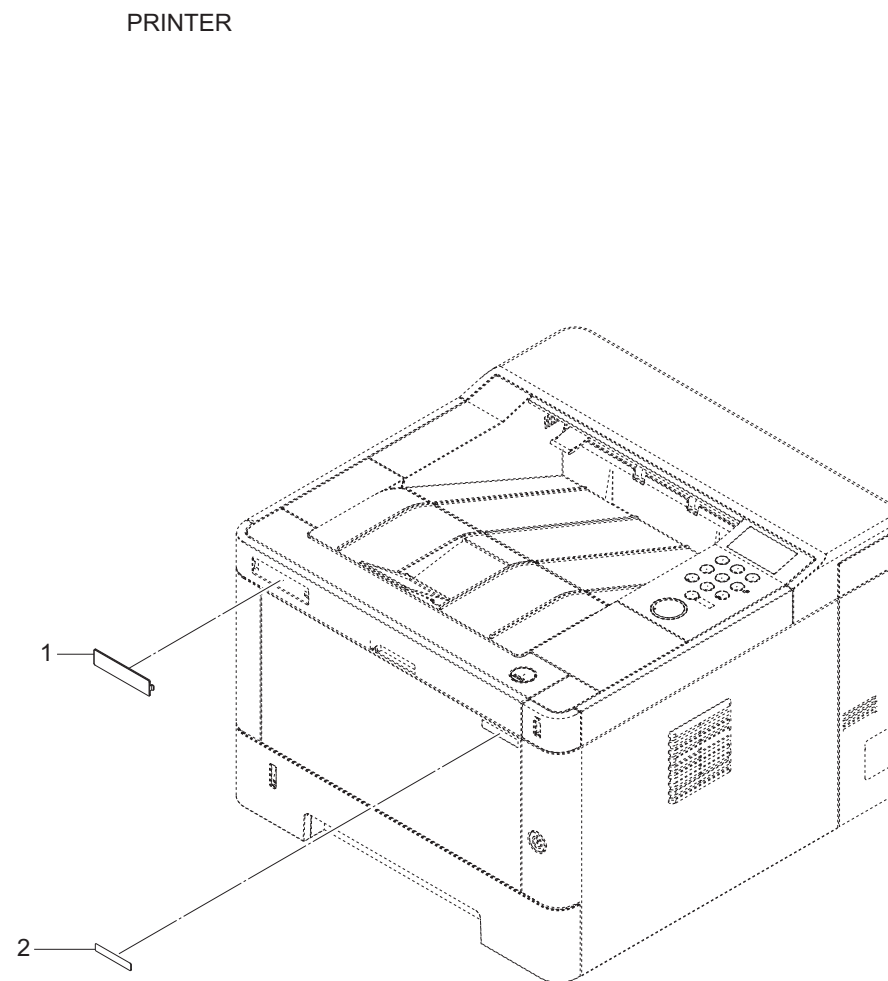
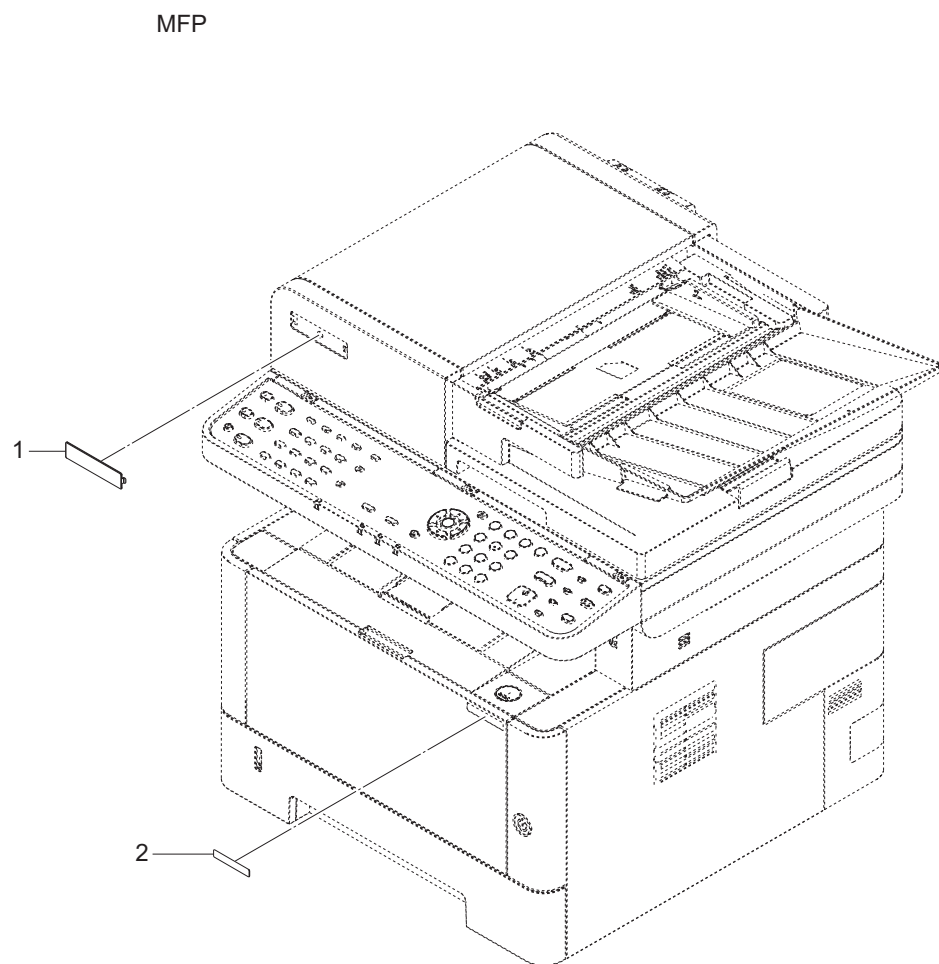


FIG. 5 Labels

2RV/2RW/2RX/2RY/2S0/2S1/2S2/2SG/2S3/2SH/2S4/2S5-2

Ref. No. 番号	Part.No. 部品番号	Description 部品名称	Notes 備考	Revision 改訂	Quantity 個数			
					100(日本)	120	230	240
1	302S018491	EMBLEM		2:Design-chg.	1	1	1	1
2	302RV34010	EMBLEM MACHINE NUMBER	35ppm(A4),37ppm(Letter)(B)			1	1	1
2	302RW34020	EMBLEM MACHINE NUMBER	35ppm(A4),37ppm(Letter)(C)			1	1	1
2	302RX34010	EMBLEM MACHINE NUMBER	40ppm(A4)(A)				1	1
2	302RY34010	EMBLEM MACHINE NUMBER	40ppm(A4),42ppm(Letter)(B)		1	1	1	1
2	302S034010	EMBLEM MACHINE NUMBER	35ppm(A4),37ppm(Letter)(A)			1	1	1
2	302S134010	EMBLEM MACHINE NUMBER	35ppm(A4)(BF)				1	1
2	302S234010	EMBLEM MACHINE NUMBER	35ppm(A4),37ppm(Letter)(CF)			1		
2	302SG34010	EMBLEM MACHINE NUMBER	35ppm(A4)(DF)				1	1
2	302S334010	EMBLEM MACHINE NUMBER	40ppm(A4),42ppm(Letter)(A)			1	1	1
2	302SH34010	EMBLEM MACHINE NUMBER	40ppm(A4)(BF)				1	1
2	302S434010	EMBLEM MACHINE NUMBER	40ppm(A4),42ppm(Letter)(CF)		1	1		
2	302S534010	EMBLEM MACHINE NUMBER	40ppm(A4),42ppm(Letter)(DF)		1	1	1	1

• Parts with a Ref.No. of 500 and above in the illustration indicate they are not selected for service parts.

• イラスト中で 500 番台の Ref 番号が付いている部品はサービスパーツに選定されていません。

FIG. 6 Frame 1

2RV/2RW/2RX/2RY/2S0/2S1/2S2/2SG/2S3/2SH/2S4/2S5-1

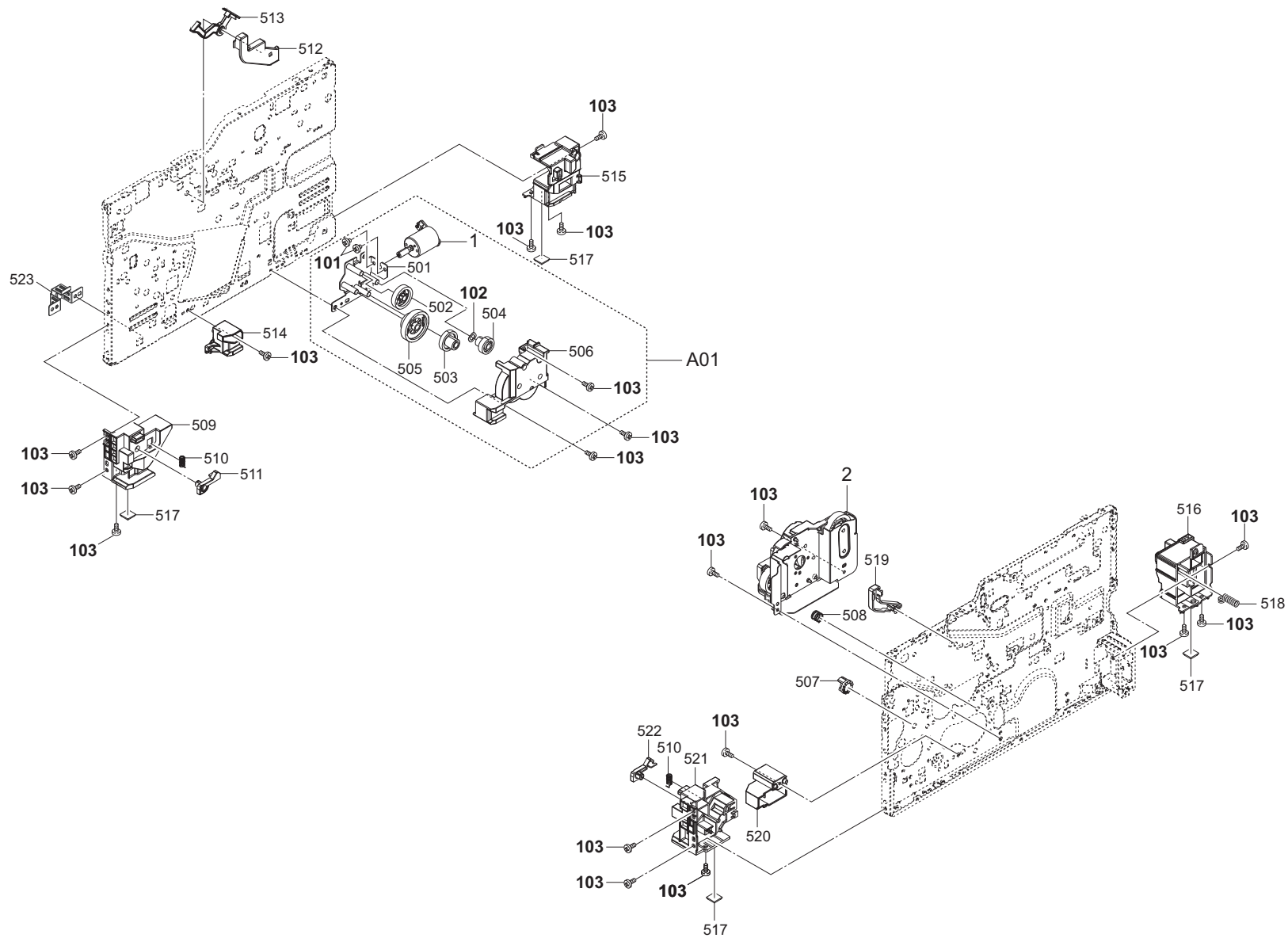


FIG. 6 Frame 1

2RV/2RW/2RX/2RY/2S0/2S1/2S2/2SG/2S3/2SH/2S4/2S5

Ref. No. 番号	Part.No. 部品番号	Description 部品名称	Notes 備考	Revision 改訂	Quantity 個数			
					100(日本)	120	230	240
A01	302RV94030	PARTS DRIVE PRESS RELEASE ASSY SP			1	1	1	1
1	*302RV94180	PARTS DC MOTOR ASSY SP			1	1	1	1
2	302RV94020	PARTS PLATE DRIVE FUSER ASSY SP			1	1	1	1
101	7BB000303H	+BIND M SCREW 3X3						
102	7BC74064B015H01	WAVE WASHER M6.4X11X0.15T						
103	7BB700308H	+BIND T.T S SCREW 3X8 SR						

• Parts with a Ref.No. of 500 and above in the illustration indicate they are not selected for service parts.

• イラスト中で 500 番台の Ref 番号が付いている部品はサービスパーツに選定されていません。

FIG. 7 Frame 2 (MFP)

2RV/2RW/2RX/2RY/2S0/2S1/2S2/2SG/2S3/2SH/2S4/2S5

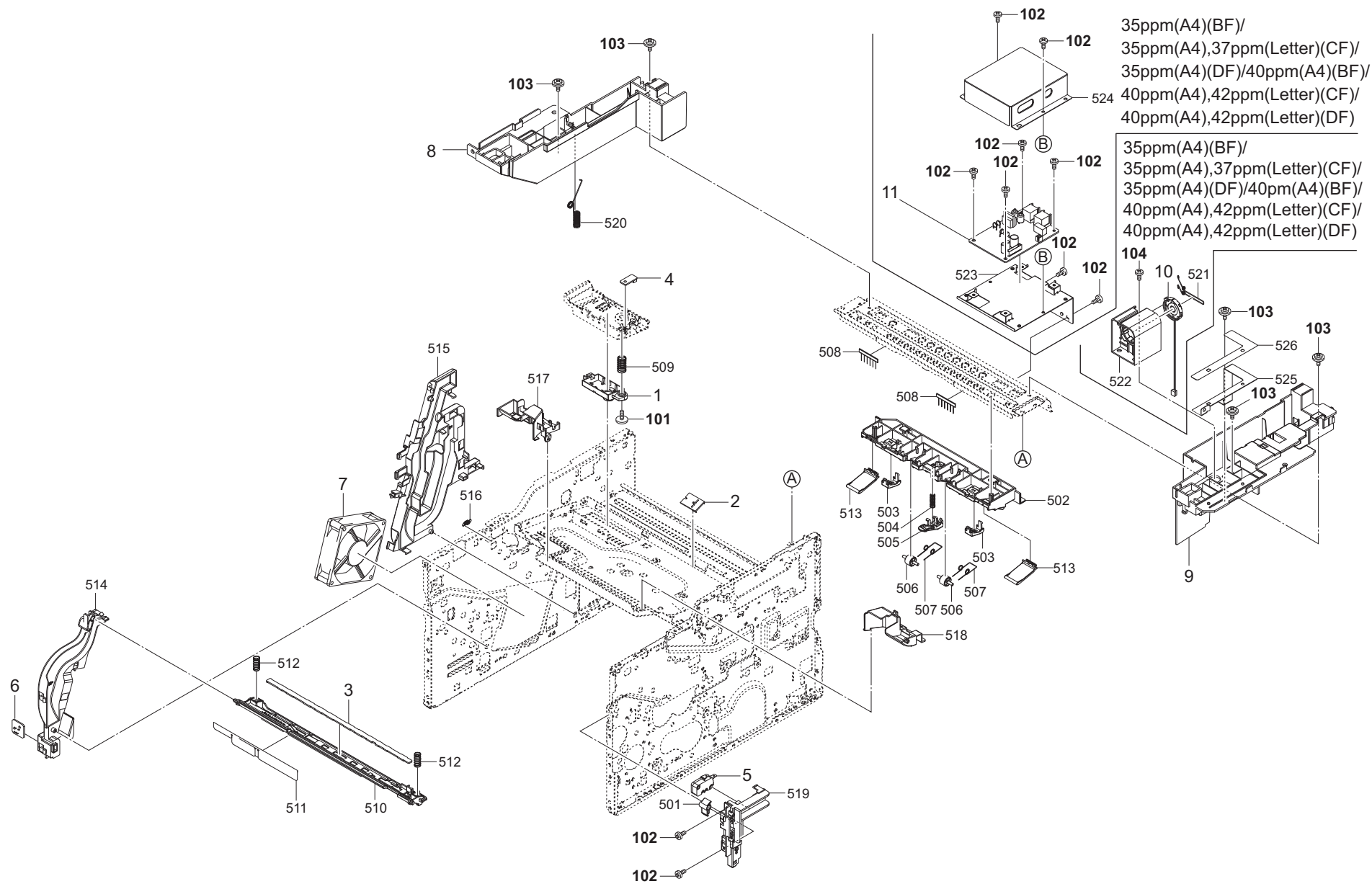


FIG. 7 Frame 2 (MFP)

2RV/2RW/2RX/2RY/2S0/2S1/2S2/2SG/2S3/2SH/2S4/2S5-3

Ref. No. 番号	Part.No. 部品番号	Description 部品名称	Notes 備考	Revision 改訂	Quantity 個数			
					100(日本)	120	230	240
1	302RV94140	PARTS PWB ASSY FULL SENSOR SP			1	1	1	1
2	302RH94110	PARTS THERMOPILE ASSY SP			1	1	1	1
3	302RV94110	PARTS PWB ERASER ASSY SP			1	1	1	1
4	302RV94150	PARTS PWB THERMISTOR ASSY SP			1	1	1	1
5	7SM010104+++H01	SW.MICRO			1	1	1	1
6	302M294130	PARTS PWB ASSY THERMISTOR SP			1	1	1	1
7	302NG94220	PARTS FAN MOTOR SP			1	1	1	1
8	302S004130	STAY JOINT ISU L			1	1	1	1
9	302S004140	STAY JOINT ISU R			1	1	1	1
10	302ND94790	PARTS SPEAKER SP	35ppm(A4)(BF)/35ppm(A4),37ppm(Letter)(CF)/ 35ppm(A4),37ppm(Letter)(DF)/40ppm(A4)(BF)/ 40ppm(A4),42ppm(Letter)(CF)/40ppm(A4),42ppm(Letter)(DF)	3:Others	1	1	1	1
11	303PA94011	PARTS FAX UNIT E SP	35ppm(A4)(BF)/35ppm(A4)(DF)/40ppm(A4)(BF)/ 40ppm(A4),42ppm(Letter)(DF)				1	1
11	302R794340	PARTS FAX UNIT U SP	35ppm(A4),37ppm(Letter)(CF)/40ppm(A4),42ppm(Letter)(CF)/ 40ppm(A4),42ppm(Letter)(DF)			1		
11	302R794330	PARTS FAX UNIT J SP	40ppm(A4),42ppm(Letter)(CF)/40ppm(A4),42ppm(Letter)(DF)		1			
101	7BB202308H	+TP-FLAT T.T P SCREW 3X8						
102	7BB700308H	+BIND T.T S SCREW 3X8 SR						
103	7BB782308H	+TP-FLAT T.T P SCREW 3X8(BLACK)						
104	7BB200308H	+BIND T.T P SCREW 3X8						

• Parts with a Ref.No. of 500 and above in the illustration indicate they are not selected for service parts.

• イラスト中で 500 番台の Ref 番号が付いている部品はサービスパーツに選定されていません。

FIG. 8 Frame 3 (PRINTER)

2RV/2RW/2RX/2RY/2S0/2S1/2S2/2SG/2S3/2SH/2S4/2S5

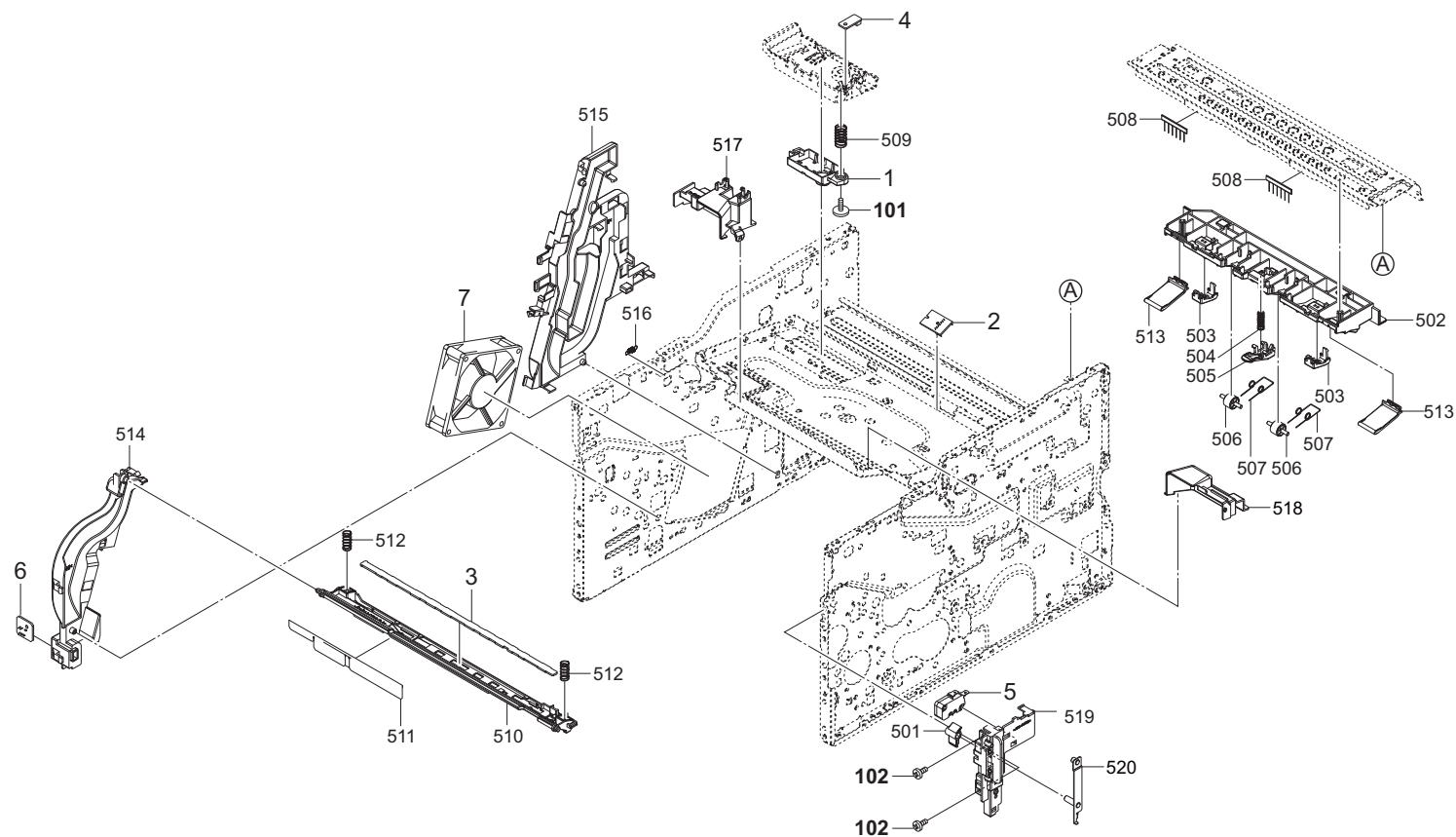


FIG. 8 Frame 3 (PRINTER)

2RV/2RW/2RX/2RY/2S0/2S1/2S2/2SG/2S3/2SH/2S4/2S5

Ref. No. 番号	Part.No. 部品番号	Description 部品名称	Notes 備考	Revision 改訂	Quantity 個数			
					100(日本)	120	230	240
1	302RV94140	PARTS PWB ASSY FULL SENSOR SP			1	1	1	1
2	302RH94110	PARTS THERMOPILE ASSY SP			1	1	1	1
3	302RV94110	PARTS PWB ERASER ASSY SP			1	1	1	1
4	302RV94150	PARTS PWB THERMISTOR ASSY SP			1	1	1	1
5	7SM010104+++H01	SW.MICRO			1	1	1	1
6	302M294130	PARTS PWB ASSY THERMISTOR SP			1	1	1	1
7	302NG94220	PARTS FAN MOTOR SP			1	1	1	1
101	7BB202308H	+TP-FLAT T.T P SCREW 3X8						
102	7BB700308H	+BIND T.T S SCREW 3X8 SR						

• Parts with a Ref.No. of 500 and above in the illustration indicate they are not selected for service parts.

・イラスト中で 500 番台の Ref 番号が付いている部品はサービスパーツに選定されていません。

FIG. 9 Paper Cassette

2RV/2RW/2RX/2RY/2S0/2S1/2S2/2SG/2S3/2SH/2S4/2S5

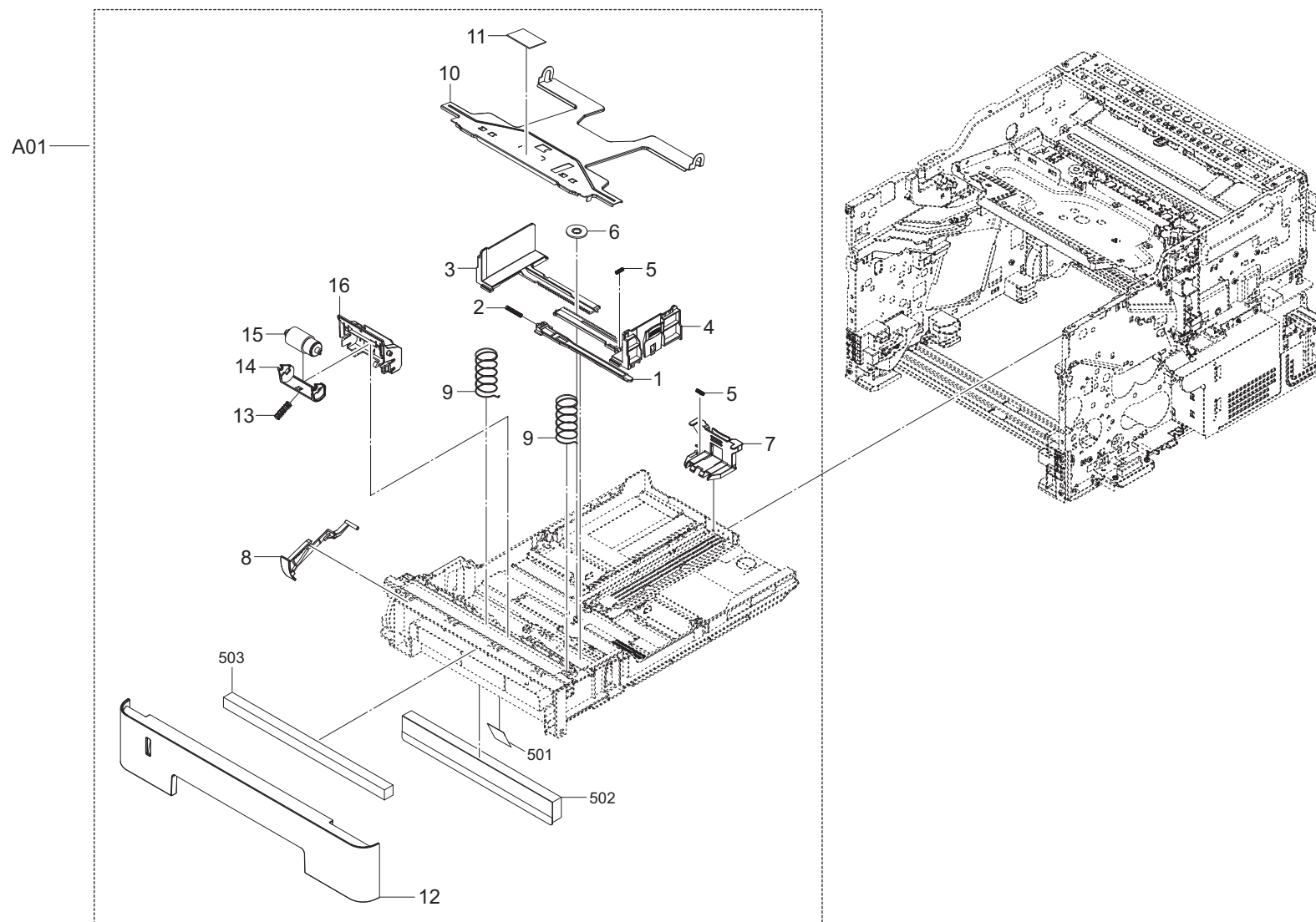


FIG. 9 Paper Cassette

2RV/2RW/2RX/2RY/2S0/2S1/2S2/2SG/2S3/2SH/2S4/2S5

Ref. No. 番号	Part.No. 部品番号	Description 部品名称	Notes 備考	Revision 改訂	Quantity 個数			
					100(日本)	120	230	240
A01	302RV93090	CT-1150			1	1	1	1
1	*302RV09150	LOCK BOTTOM			1	1	1	1
2	*302RV09180	SPRING LOCK BOTTOM			1	1	1	1
3	*302RV09080	CURSOR LEFT			1	1	1	1
4	*302RV09090	CURSOR RIGHT			1	1	1	1
5	*3V2BS06100	SPRING END /3070P319 A4			2	2	2	2
6	*5MVG127DN071	GEAR CASSETTE			1	1	1	1
7	*302RV09100	CURSOR END			1	1	1	1
8	*302RV09140	PAPER INDICATOR			1	1	1	1
9	*302RV09050	SPRING BOTTOM			2	2	2	2
10	*302RV09040	PLATE BOTTOM			1	1	1	1
11	*302F909210	PAD BOTTOM			1	1	1	1
12	*302RV09030	COVER CASSETTE			1	1	1	1
13	*302RV09130	SPRING RETARD			1	1	1	1
14	*302RV09120	HOLDER RETARD			1	1	1	1
15	*302F909171	RETARD ROLLER ASSY			1	1	1	1
16	*302RV09110	GUIDE RETARD			1	1	1	1

• Parts with a Ref.No. of 500 and above in the illustration indicate they are not selected for service parts.

• イラスト中で 500 番台の Ref 番号が付いている部品はサービスパーツに選定されていません。

FIG. 10 Paper Feed Section 1

2RV/2RW/2RX/2RY/2S0/2S1/2S2/2SG/2S3/2SH/2S4/2S5-3

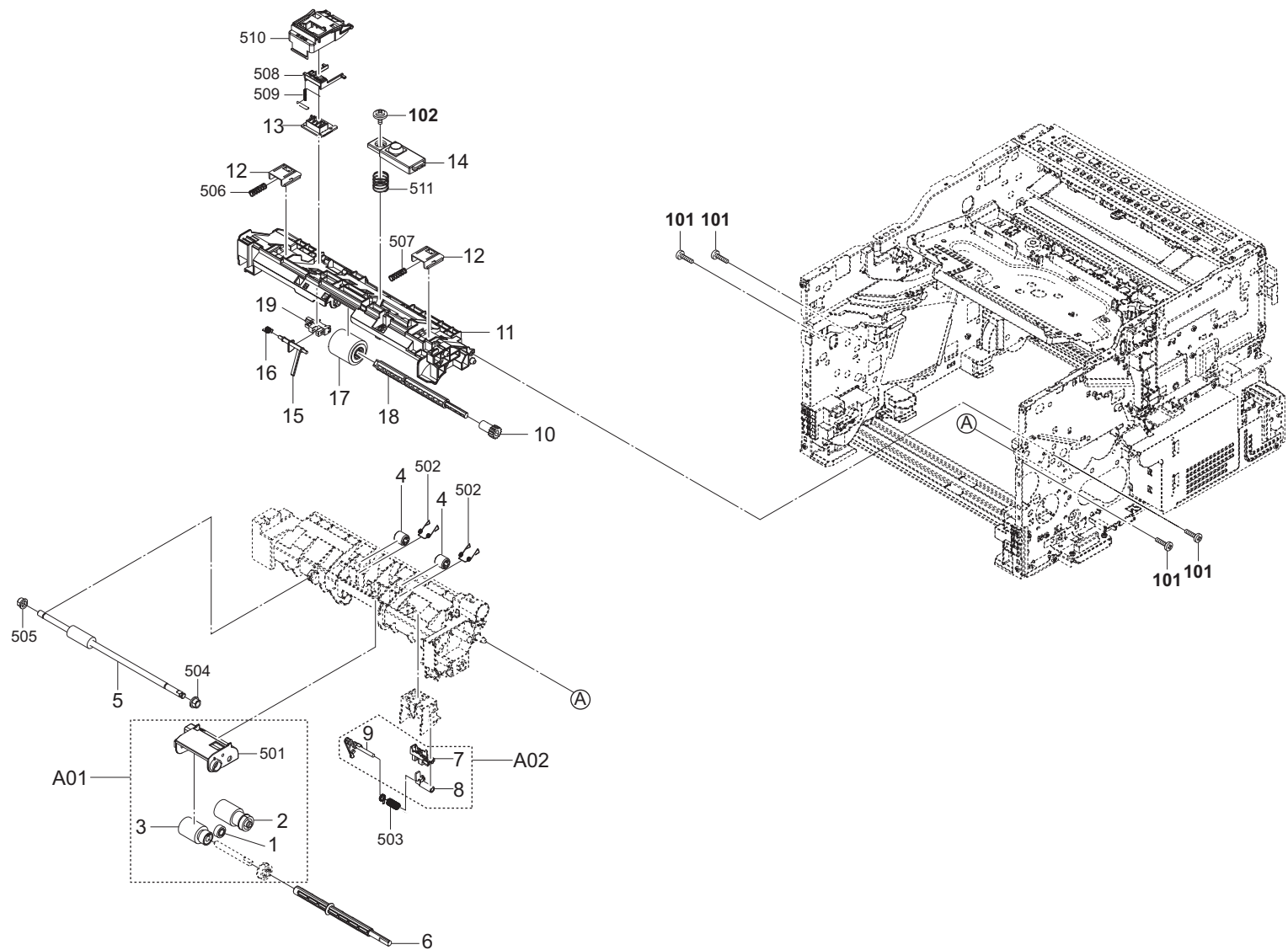


FIG. 10 Paper Feed Section 1

2RV/2RW/2RX/2RY/2S0/2S1/2S2/2SG/2S3/2SH/2S4/2S5-3

Ref. No. 番号	Part.No. 部品番号	Description 部品名称	Notes 備考	Revision 改訂	Quantity 個数			
					100(日本)	120	230	240
A01	302RV94070	PARTS HOLDER FEED ASSY SP			1	1	1	1
1	*302HS06090	GEAR Z22S FEED			1	1	1	1
2	*302HN06080	PULLEY PICKUP ASSY			1	1	1	1
3	*302F906230	PULLEY FEED ASSY			1	1	1	1
4	5MVM273DB005	PULLEY EXIT /A-49 FUSER A3			2	2	2	2
5	302RV94230	PARTS ROLLER MIDDLE SP			1	1	1	1
6	302RV06040	SHAFT FEED R			1	1	1	1
A02	302RV94320	PARTS ACTUATOR ASSY SP		3:Add	1	1	1	1
7	*302P794010	PARTS SENSOR OPT. SP		3:Quantity-chg., Others	1	1	1	1
8	*302HS06071	ACTUATOR EMPTY B		3:Others	1	1	1	1
9	*302RV06080	ACTUATOR EMPTY A		3:Others	1	1	1	1
10	302RV08060	GEAR Z14S			1	1	1	1
11	302RV08010	FRAME MPF			1	1	1	1
12	302F908340	LOCK DLP			2	2	2	2
13	302RV94160	PARTS PWB CONTAINER CONNECT ASSY SP			1	1	1	1
14	302RV94170	PARTS PWB ASSY EMPTY SENSOR SP			1	1	1	1
15	302LV08180	ACTUATOR MPF			1	1	1	1
16	302LV08201	SPRING ACTUATOR MPF			1	1	1	1
17	302HS08260	ROLLER M/P ASSY			1	1	1	1
18	302RV08070	SHAFT FEED MPF			1	1	1	1
19	302P794010	PARTS SENSOR OPT. SP		3:Others	1	1	1	1
101	7BB200308H	+BIND T.T P SCREW 3X8						
102	7BB202308H	+TP-FLAT T.T P SCREW 3X8						

• Parts with a Ref.No. of 500 and above in the illustration indicate they are not selected for service parts.

• イラスト中で 500 番台の Ref 番号が付いている部品はサービスパーツに選定されていません。

FIG. 11 Paper Feed Section 2

2RV/2RW/2RX/2RY/2S0/2S1/2S2/2SG/2S3/2SH/2S4/2S5-1

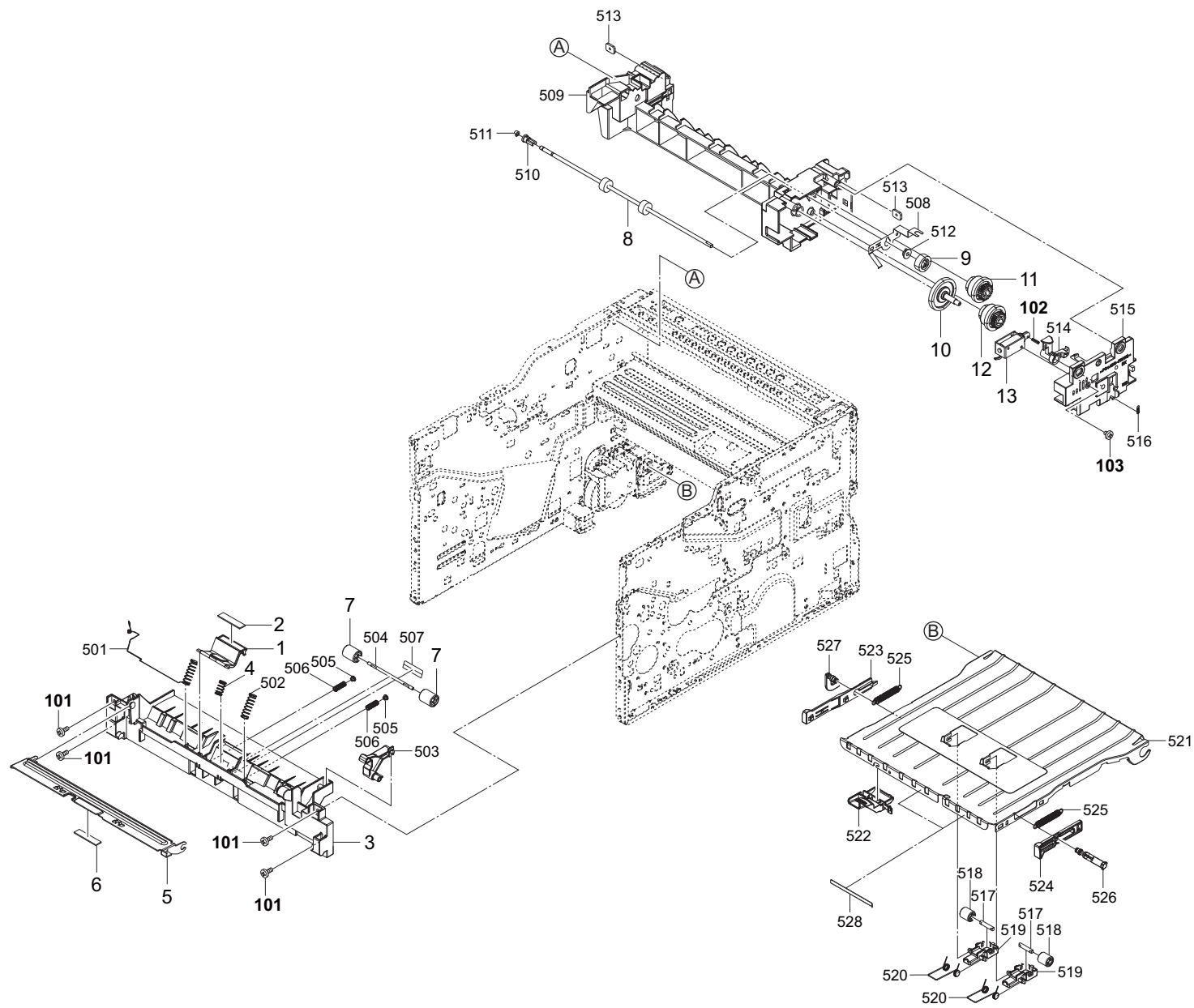


FIG. 11 Paper Feed Section 2

2RV/2RW/2RX/2RY/2S0/2S1/2S2/2SG/2S3/2SH/2S4/2S5-2

Ref. No. 番号	Part.No. 部品番号	Description 部品名称	Notes 備考	Revision 改訂	Quantity 個数			
					100(日本)	120	230	240
1	3V2LV08070	HOLDER SEPARATION MPF			1	1	1	1
2	302R708310	PAD SEPARATION			1	1	1	1
3	302RV08021	GUIDE TURN MPF		1:Design-chg.	1	1	1	1
4	302LV08110	SPRING SEPARATION MPF			1	1	1	1
5	302LV08080	PLATE BOTTOM MPF			1	1	1	1
6	302F908310	PAD FRICTION MPF			1	1	1	1
7	302F929260	PULLEY DU LOW			2	2	2	2
8	302RV94300	PARTS ROLLER FD UP B SP		2:PartNo-chg.	1	1	1	1
9	302RV28130	GEAR Z21S			1	1	1	1
10	302M331100	GEAR Z45S			1	1	1	1
11	302RV94060	PARTS GEAR YUUSEI B ASSY SP			1	1	1	1
12	302RV94050	PARTS GEAR YUUSEI A ASSY SP			1	1	1	1
13	302HN44150	SOLENOID FD ASSY			1	1	1	1
101	7BB700308H	+BIND T.T S SCREW 3X8 SR						
102	7BP00251200JH01	SPRING PIN 2.5X12						
103	7BB000304H	+BIND M SCREW 3X4						

• Parts with a Ref.No. of 500 and above in the illustration indicate they are not selected for service parts.

• イラスト中で 500 番台の Ref 番号が付いている部品はサービスパーツに選定されていません。

FIG. 12 Paper Conveying Section

2RV/2RW/2RX/2RY/2S0/2S1/2S2/2SG/2S3/2SH/2S4/2S5-1

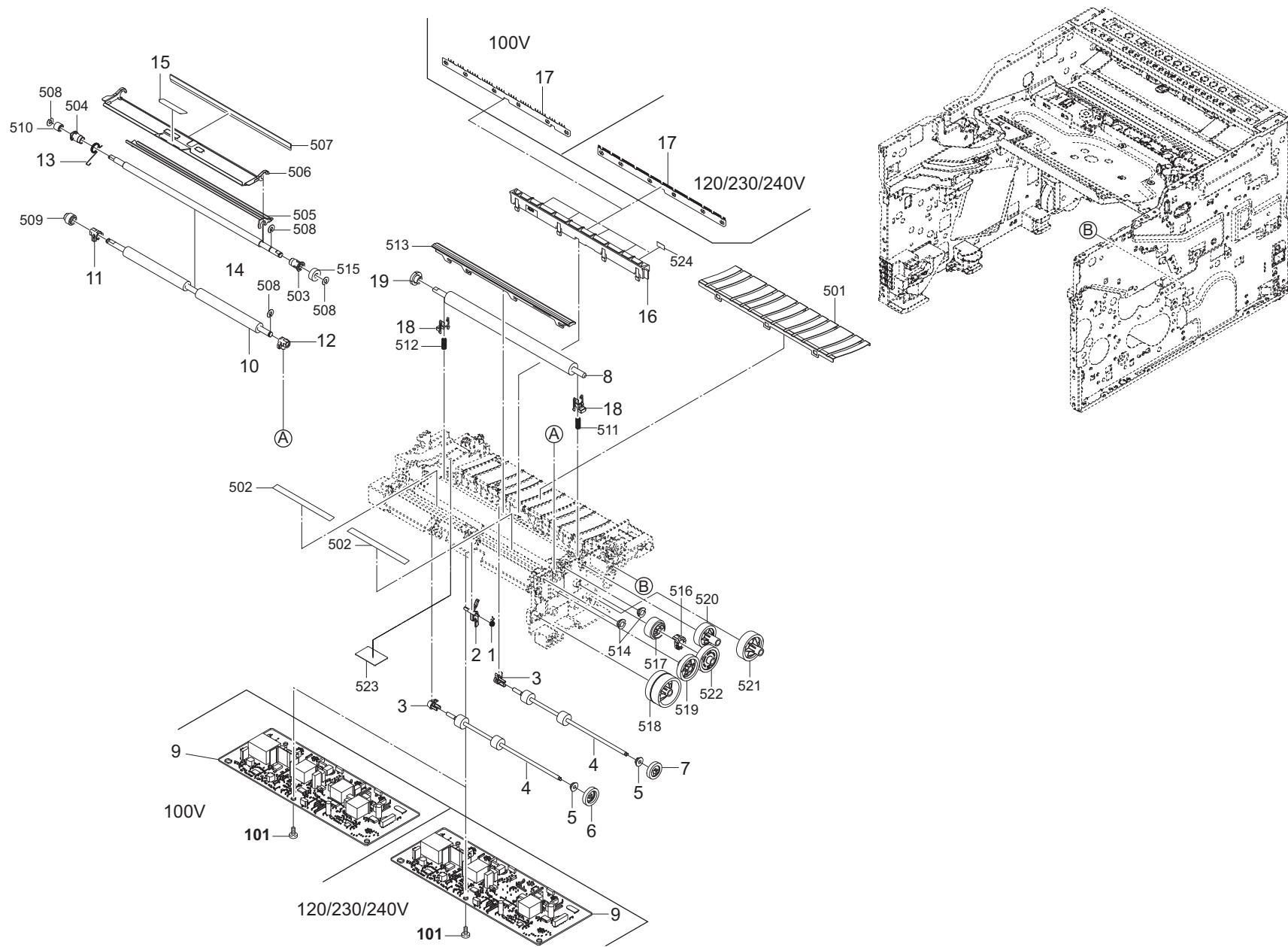


FIG. 12 Paper Conveying Section

2RV/2RW/2RX/2RY/2S0/2S1/2S2/2SG/2S3/2SH/2S4/2S5-3

Ref. No. 番号	Part.No. 部品番号	Description 部品名称	Notes 備考	Revision 改訂	Quantity 個数			
					100(日本)	120	230	240
1	302RV24330	SPRING ACTUATOR REGIST			1	1	1	1
2	302RV24080	ACTUATOR REGIST			1	1	1	1
3	302RV24460	BUSH DU			2	2	2	2
4	302RV94270	PARTS ROLLER DU SP			2	2	2	2
5	302K306460	BUSH 4		3:PartNo-chg.	2	2	2	2
6	302RV29060	GEAR Z25L			1	1	1	1
7	302RV29070	GEAR Z23L			1	1	1	1
8	302RV94280	PARTS ROLLER TRANSFER E SP		1:PartNo-chg.	1		1	1
8	302RV94290	PARTS ROLLER TRANSFER A SP		1:PartNo-chg.		1		
9	302RV94190	PARTS UNIT HIGH VOLTAGE SP				1	1	1
9	302RV94200	PARTS UNIT HIGH VOLTAGE J SP			1			
10	302RV94250	PARTS ROLLER REGIST LOW SP			1	1	1	1
11	302RV24110	BUSH REGIST LOW L			1	1	1	1
12	302RV24120	BUSH REGIST LOW R			1	1	1	1
13	302RV24340	SPRING GUIDE REGIST			1	1	1	1
14	302RV94240	PARTS ROLLER REGIST UP SP			1	1	1	1
15	302RV34020	LABEL C			1	1	1	1
16	302RV24500	HOLDER DC BRUSH			1	1	1	1
17	302RV24190	BRUSH DISCHARGER				1	1	1
17	302RV24900	BRUSH DC DISCHARGER			1			
18	302HS24250	BUSH TC R			2	2	2	2
19	302RV24160	GEAR TRANS Z17L			1	1	1	1
101	7BB200308H	+BIND T.T P SCREW 3X8						

• Parts with a Ref.No. of 500 and above in the illustration indicate they are not selected for service parts.

• イラスト中で 500 番台の Ref 番号が付いている部品はサービスパーツに選定されていません。

FIG. 13 Laser Scanner Section

2RV/2RW/2RX/2RY/2S0/2S1/2S2/2SG/2S3/2SH/2S4/2S5

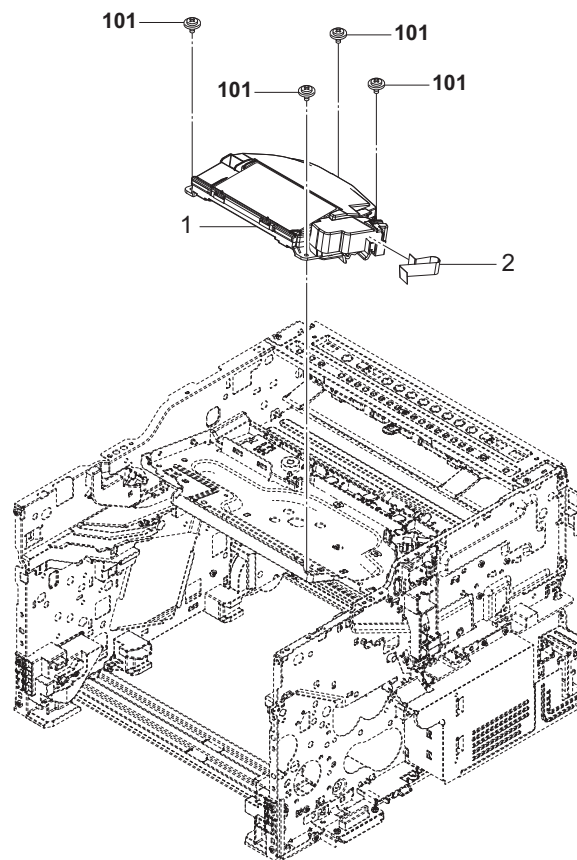


FIG. 13 Laser Scanner Section

2RV/2RW/2RX/2RY/2S0/2S1/2S2/2SG/2S3/2SH/2S4/2S5

Ref. No. 番号	Part.No. 部品番号	Description 部品名称	Notes 備考	Revision 改訂	Quantity 個数			
					100(日本)	120	230	240
1	302RV93070	LK-1150			1	1	1	1
2	302RV46160	CONN.CORD ASSY FFC APC			1	1	1	1
101	7BB607306H	+TP-CUP M SCREW 3X6 R						

• Parts with a Ref.No. of 500 and above in the illustration indicate they are not selected for service parts.

• イラスト中で 500 番台の Ref 番号が付いている部品はサービスパーツに選定されていません。

FIG. 14 Scanner Section

2RV/2RW/2RX/2RY/2S0/2S1/2S2/2SG/2S3/2SH/2S4/2S5

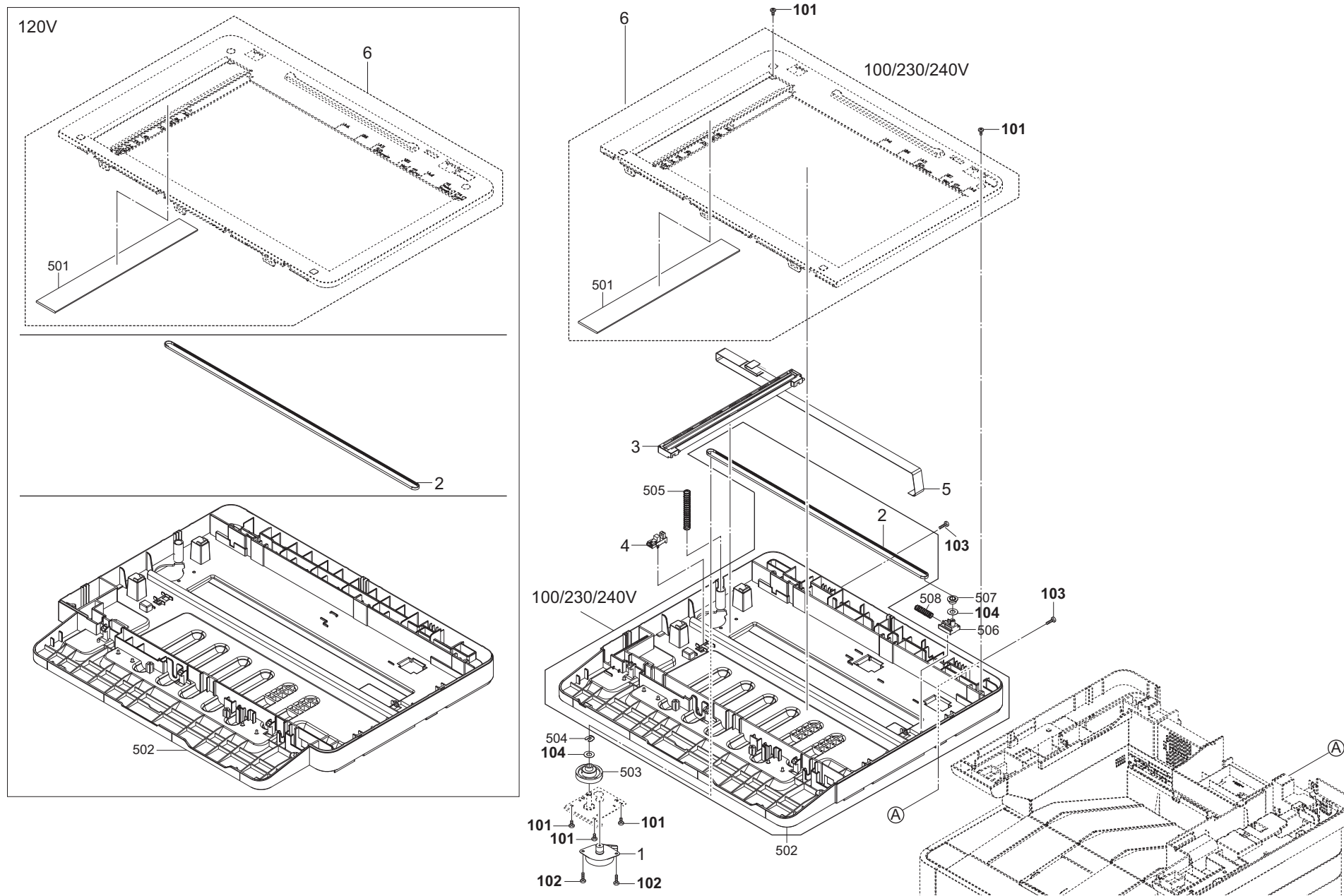


FIG. 14 Scanner Section

2RV/2RW/2RX/2RY/2S0/2S1/2S2/2SG/2S3/2SH/2S4/2S5

Ref. No. 番号	Part.No. 部品番号	Description 部品名称	Notes 備考	Revision 改訂	Quantity 個数			
					100(日本)	120	230	240
1	302R794380	PARTS MOTOR ISU SP			1	1	1	1
2	302S017340	BELT ISU A			1		1	1
2	302H917230	BELT ISU				1		
3	302R794320	PARTS SENSOR A4 CIS SP			1	1	1	1
4	302P794010	PARTS SENSOR OPT. SP			1	1	1	1
5	302S046020	CONN.CORD ASSY FFC ISU			1	1	1	1
6	302S094030	PARTS FRAME ISU TOP A ASSY SP			1		1	1
6	302S394010	PARTS FRAME ISU TOP L ASSY SP				1		
101	7BB200308H	+BIND T.T P SCREW 3X8						
102	7BB700308H	+BIND T.T S SCREW 3X8 SR						
103	7BB200412H	+BIND T.T P SCREW 4X12						
104	C2893960	SHIM 6.2-13-0.13T						

• Parts with a Ref.No. of 500 and above in the illustration indicate they are not selected for service parts.

• イラスト中で 500 番台の Ref 番号が付いている部品はサービスパーツに選定されていません。

FIG. 15 Image Formation Section 1

2RV/2RW/2RX/2RY/2S0/2S1/2S2/2SG/2S3/2SH/2S4/2S5

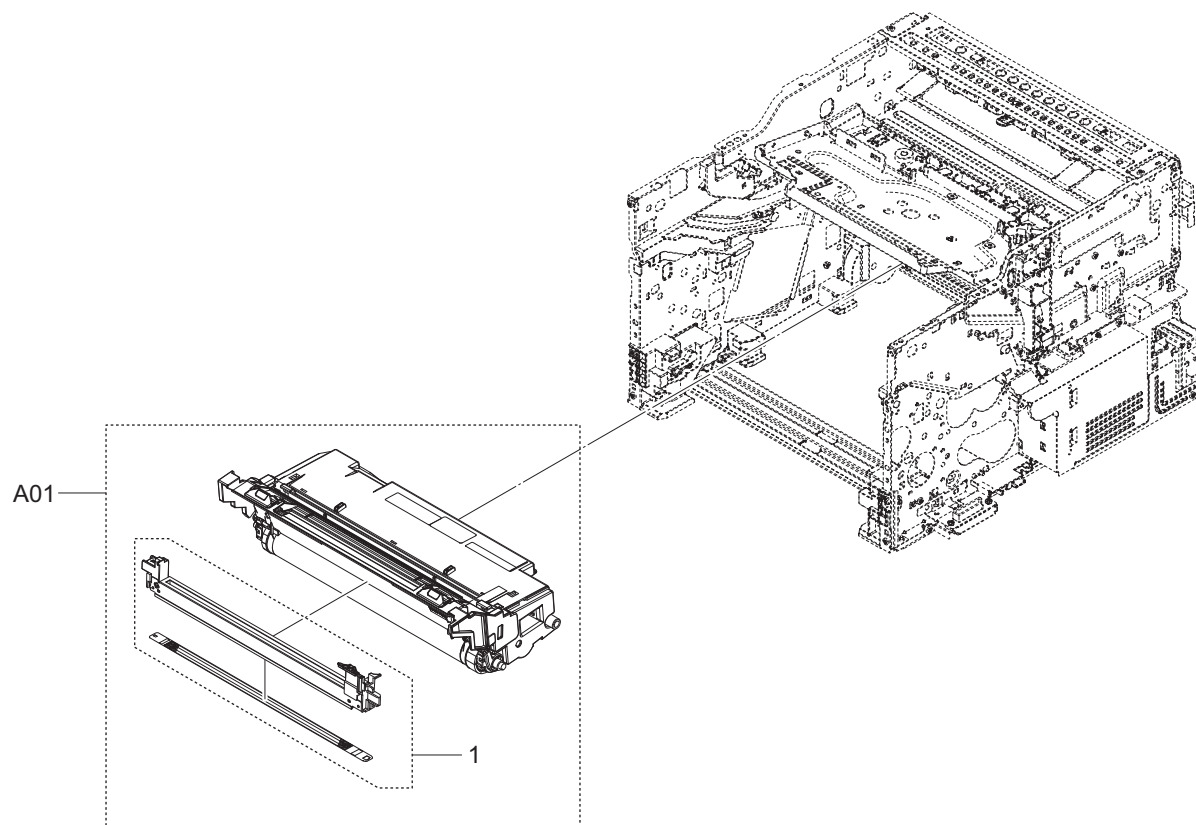


FIG. 16 Image Formation Section 2

2RV/2RW/2RX/2RY/2S0/2S1/2S2/2SG/2S3/2SH/2S4/2S5

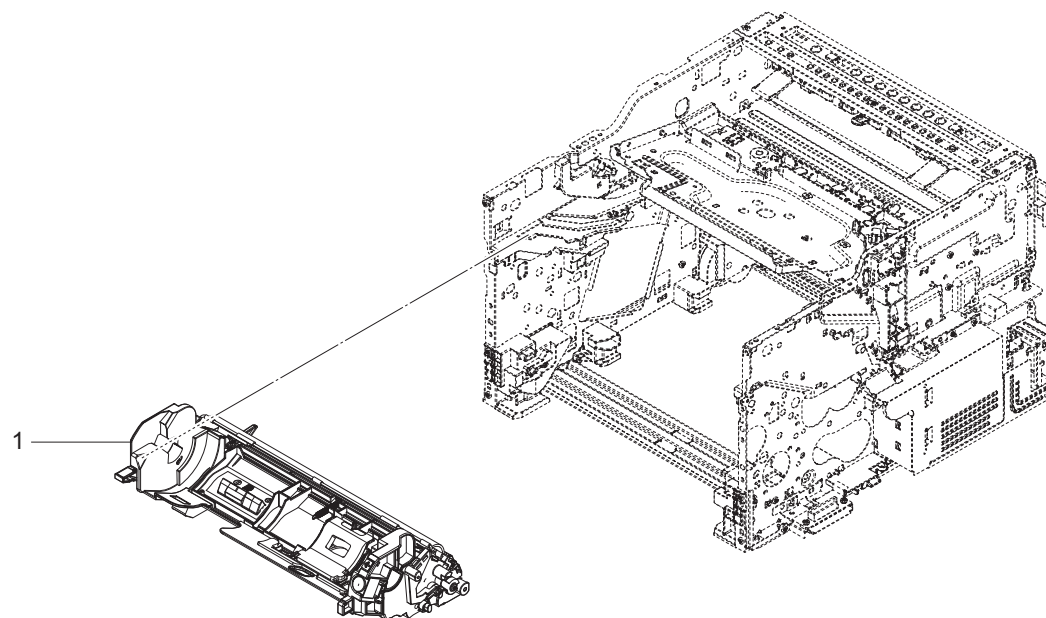


FIG. 16 Image Formation Section 2

2RV/2RW/2RX/2RY/2S0/2S1/2S2/2SG/2S3/2SH/2S4/2S5-1

Ref. No. 番号	Part.No. 部品番号	Description 部品名称	Notes 備考	Revision 改訂	Quantity 個数			
					100(日本)	120	230	240
1	302RV93020	DV-1150					1	
1	302RV93030	DV-1152					1	
1	302RY93010	DV-1151			1			
1	302RV93040	DV-1154	35ppm(A4),37ppm(Letter)(B)/35ppm(A4),37ppm(Letter)(C)/40ppm(A4)(A)/40ppm(A4),42ppm(Letter)(B)/40ppm(A4),42ppm(Letter)(A)/40ppm(A4)(BF)/40ppm(A4),42ppm(Letter)(DF)	1:Others				1
1	302S193010	DV-1184	35ppm(A4)(BF)/35ppm(A4)(DF)	1:Add				1

• Parts with a Ref.No. of 500 and above in the illustration indicate they are not selected for service parts.

• イラスト中で 500 番台の Ref 番号が付いている部品はサービスパーツに選定されていません。

FIG. 17 Fuser Section

2RV/2RW/2RX/2RY/2S0/2S1/2S2/2SG/2S3/2SH/2S4/2S5-4

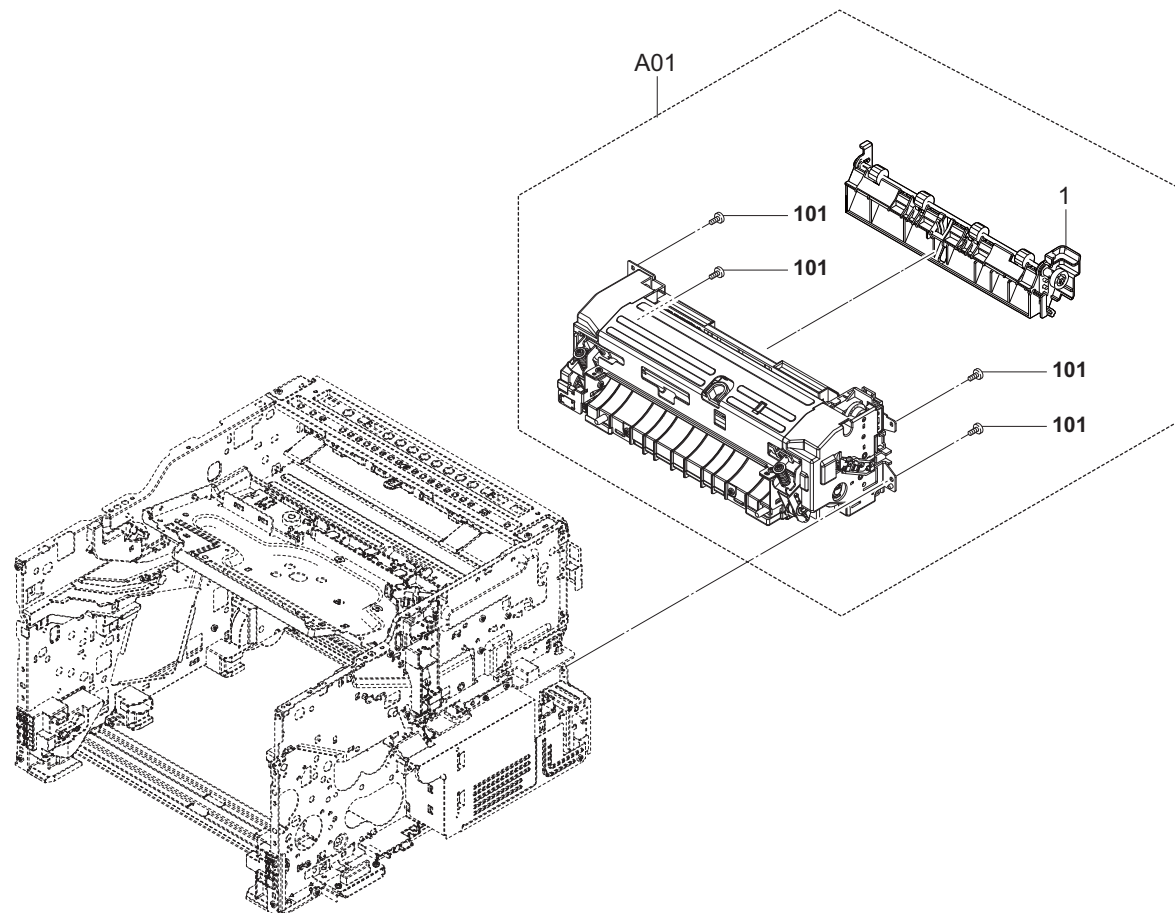


FIG. 18 Drive Section

2RV/2RW/2RX/2RY/2S0/2S1/2S2/2SG/2S3/2SH/2S4/2S5

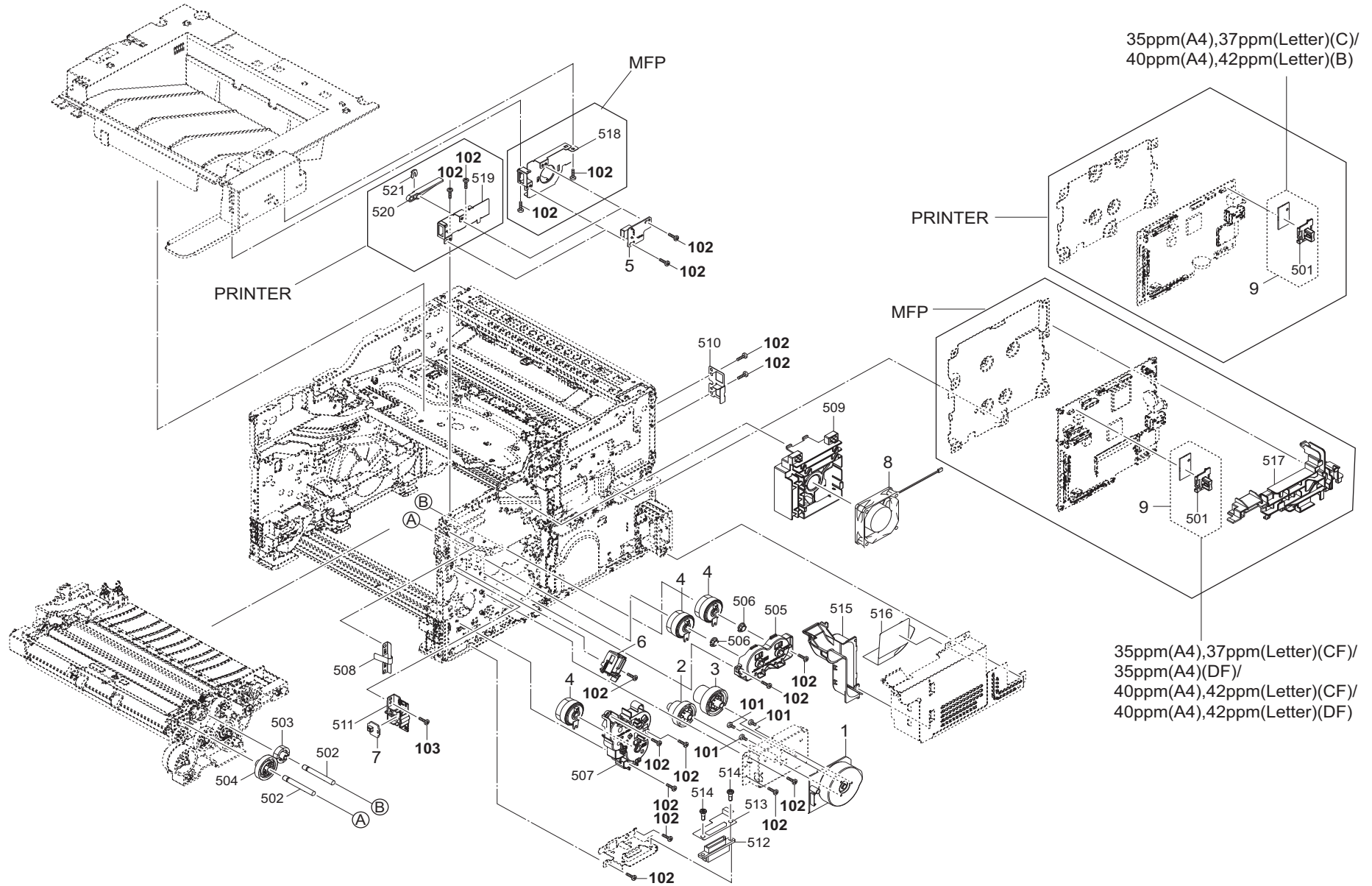


FIG. 18 Drive Section

2RV/2RW/2RX/2RY/2S0/2S1/2S2/2SG/2S3/2SH/2S4/2S5

Ref. No. 番号	Part.No. 部品番号	Description 部品名称	Notes 備考	Revision 改訂	Quantity 個数			
					100(日本)	120	230	240
1	302LC94283	PARTS MOTOR-BL W40 SP			1	1	1	1
2	302RV31080	GEAR Z61R-Z25R			1	1	1	1
3	302RV31040	GEAR Z69R-Z26L			1	1	1	1
4	302NR94010	PARTS CLUTCH 35 Z35R SP			3	3	3	3
5	302RV94120	PARTS PWB FRONT USB ASSY SP			1	1	1	1
6	302HN44160	SOLENOID MPF			1	1	1	1
7	302RV94130	PARTS PWB SWITCH ASSY SP			1	1	1	1
8	302FZ94420	PARTS FAN COOLING CONVEYING SP			1	1	1	1
9	302R794010	PARTS WIFI UNIT SP	35ppm(A4),37ppm(Letter)(C)/40ppm(A4),42ppm(Letter)(B)/ 35ppm(A4),37ppm(Letter)(CF)/35ppm(A4)(DF)/ 40ppm(A4),42ppm(Letter)(CF)/40ppm(A4),42ppm(Letter)(DF)		1	1	1	1
101	7BB000304H	+BIND M SCREW 3X4						
102	7BB700308H	+BIND T.T S SCREW 3X8 SR						
103	7BB200308H	+BIND T.T P SCREW 3X8						

• Parts with a Ref.No. of 500 and above in the illustration indicate they are not selected for service parts.

• イラスト中で 500 番台の Ref 番号が付いている部品はサービスパーツに選定されていません。

FIG. 19 Electrical Components

2RV/2RW/2RX/2RY/2S0/2S1/2S2/2SG/2S3/2SH/2S4/2S5

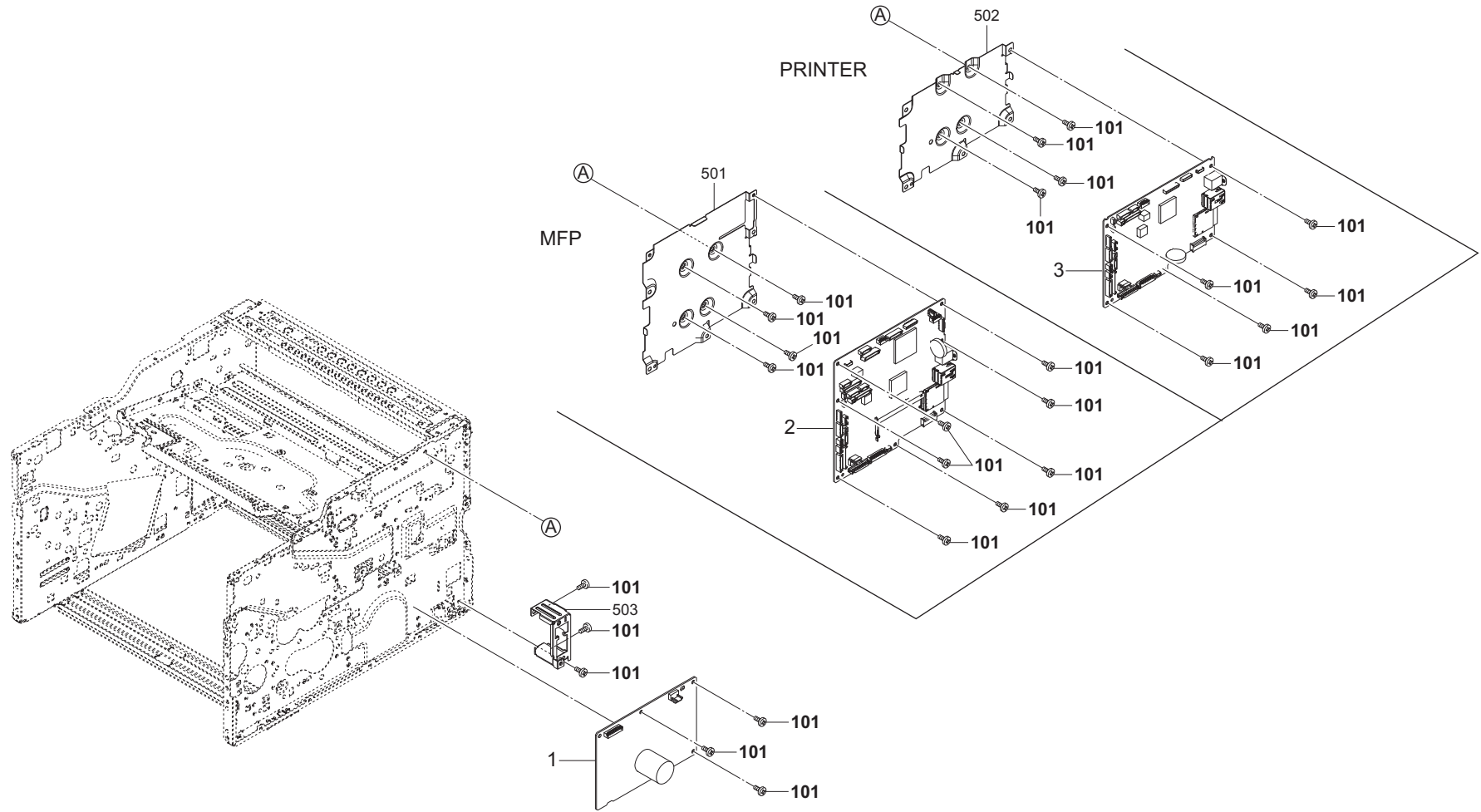


FIG. 19 Electrical Components

2RV/2RW/2RX/2RY/2S0/2S1/2S2/2SG/2S3/2SH/2S4/2S5-6

Ref. No. 番号	Part.No. 部品番号	Description 部品名称	Notes 備考	Revision 改訂	Quantity 個数			
					100(日本)	120	230	240
1	302S094090	PARTS UNIT LOW VOLTAGE 100V SP	for MFP		1	1		
1	302S094100	PARTS UNIT LOW VOLTAGE 230V SP	for MFP					
1	302RV94210	PARTS UNIT LOW VOLTAGE 100V SP	for PRINTER		1	1	1	1
1	302RV94220	PARTS UNIT LOW VOLTAGE 230V SP	for PRINTER				1	1
2	302S094060	PARTS PWB MAIN ENGINE ASSY SP	35ppm(A4),37ppm(Letter)(A)	1:Others		1		
2	302S094073	PARTS PWB MAIN ENGINE ASSY EU SP	35ppm(A4),37ppm(Letter)(A)	2:Design-chg./3:Design-chg.			1	
2	302S194020	PARTS PWB MAIN ENGINE ASSY SP	35ppm(A4)(BF)					1
2	302S194033	PARTS PWB MAIN ENGINE ASSY EU SP	35ppm(A4)(BF)	2:Design-chg./3:Design-chg.			1	
2	302S294021	PARTS PWB MAIN ENGINE ASSY SP	35ppm(A4),37ppm(Letter)(CF)	3:Design-chg.		1		
2	302SG94010	PARTS PWB MAIN ENGINE ASSY SP	35ppm(A4)(DF)					1
2	302SG94021	PARTS PWB MAIN ENGINE ASSY EU SP	35ppm(A4)(DF)	2 :Design-chg.			1	
2	302S394022	PARTS PWB MAIN ENGINE ASSY SP	40ppm(A4),42ppm(Letter)(A)	3:Design-chg.		1		1
2	302S394033	PARTS PWB MAIN ENGINE ASSY EU SP	40ppm(A4),42ppm(Letter)(A)	2:Design-chg./3:Design-chg.			1	
2	302SH94020	PARTS PWB MAIN ENGINE ASSY SP	40ppm(A4)(BF)	1:Add				1
2	302SH94013	PARTS PWB MAIN ENGINE ASSY EU SP	40ppm(A4)(BF)	2:Design-chg./3:Design-chg.			1	
2	302S494012	PARTS PWB MAIN ENGINE ASSY SP	40ppm(A4),42ppm(Letter)(CF)	3:Design-chg.	1	1		
2	302S494023	PARTS PWB MAIN ENGINE ASSY EU SP	40ppm(A4),42ppm(Letter)(CF)	2:Add/3:Design-chg.			1	
2	302S594022	PARTS PWB MAIN ENGINE ASSY SP	40ppm(A4),42ppm(Letter)(DF)	3:Design-chg.	1	1		1
2	302S594033	PARTS PWB MAIN ENGINE ASSY EU SP	40ppm(A4),42ppm(Letter)(DF)	2:Design-chg./3:Design-chg.			1	
3	302RV94082	PARTS PWB MAIN ENGINE ASSY SP	35ppm(A4),37ppm(Letter)(B)	3:Design-chg.		1		1
3	302RV94093	PARTS PWB MAIN ENGINE ASSY EU SP	35ppm(A4),37ppm(Letter)(B)	2:Design-chg./3:Design-chg.			1	
3	302RW94011	PARTS PWB MAIN ENGINE ASSY SP	35ppm(A4),37ppm(Letter)(C)	6 :Design-chg.		1		1
3	302RW94021	PARTS PWB MAIN ENGINE ASSY EU SP	35ppm(A4),37ppm(Letter)(C)	2 :Design-chg.			1	
3	302RX94012	PARTS PWB MAIN ENGINE ASSY SP	40ppm(A4)(A)	6 :Design-chg.				1
3	302RX94023	PARTS PWB MAIN ENGINE ASSY EU SP	40ppm(A4)(A)	2:Design-chg./3:Design-chg.			1	
3	302RY94012	PARTS PWB MAIN ENGINE ASSY SP	40ppm(A4),42ppm(Letter)(B)	3:Design-chg.	1	1		1
3	302RY94021	PARTS PWB MAIN ENGINE ASSY EU SP	40ppm(A4),42ppm(Letter)(B)	2 :Design-chg.			1	
101	7BB700308H	+BIND T.T S SCREW 3X8 SR						

• Parts with a Ref.No. of 500 and above in the illustration indicate they are not selected for service parts.

• イラスト中で 500 番台の Ref 番号が付いている部品はサービスパーツに選定されていません。

FIG. 20 Operation Section 1 (MFP;35ppm(A4)(DF)/40ppm(A4),42ppm(Letter)(DF))

2RV/2RW/2RX/2RY/2S0/2S1/2S2/2SG/2S3/2SH/2S4/2S5

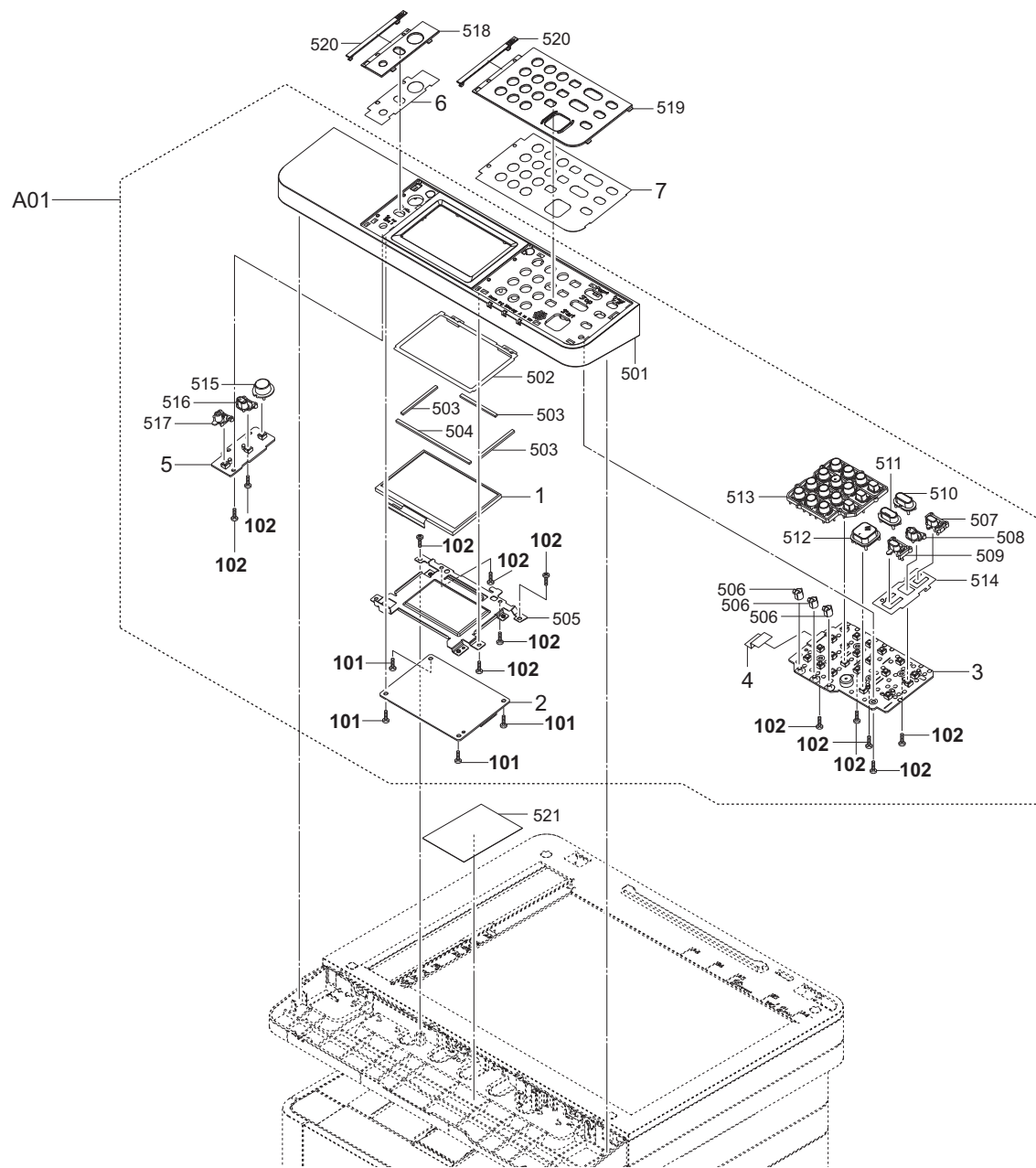


FIG. 20 Operation Section 1 (MFP;35ppm(A4)(DF)/40ppm(A4),42ppm(Letter)(DF)

2RV/2RW/2RX/2RY/2S0/2S1/2S2/2SG/2S3/2SH/2S4/2S5-2

Ref. No. 番号	Part.No. 部品番号	Description 部 品 名 称	Notes 備 考	Revision 改 訂	Quantity 個数			
					100(日本)	120	230	240
A01	302S594011	PARTS OPERATION ASSY SP		2 :Design-chg.	1	1	1	1
1	•302K394171	PARTS LCD COLOR S			1	1	1	1
2	•302S594041	PARTS PWB PANEL MAIN ASSY SP		2 :Design-chg.	1	1	1	1
3	•302R794220	PARTS PWB KEY RIGHT ASSY SP			1	1	1	1
4	•302S546050	CONN.CORD ASSY FFC KEY RIGHT			1	1	1	1
5	•302R794250	PARTS PWB KEY LEFT ASSY SP			1	1	1	1
6	302S505710	LABEL OPERATION T LEFT EN				1	1	1
6	302S505720	LABEL OPERATION T LEFT JP			1			
7	302S505510	LABEL OPERATION T RIGHT EN				1	1	1
7	302S505520	LABEL OPERATION T RIGHT JP			1			
101	7BB700308H	+BIND T.T S SCREW 3X8 SR						
102	7BB200308H	+BIND T.T P SCREW 3X8						

• Parts with a Ref.No. of 500 and above in the illustration indicate they are not selected for service parts.

・イラスト中で 500 番台の Ref 番号が付いている部品はサービスパーツに選定されていません。

FIG. 21 Operation Section 2
 (MFP;35ppm(A4),37ppm(Letter)(A)/35ppm(A4)(BF)/35ppm(A4),37ppm(Letter)(CF)/
 40ppm(A4),42ppm(Letter)(A)/40ppm(A4)(BF)/40ppm(A4),42ppm(Letter)(CF))

2RV/2RW/2RX/2RY/2S0/2S1/2S2/2SG/2S3/2SH/2S4/2S5

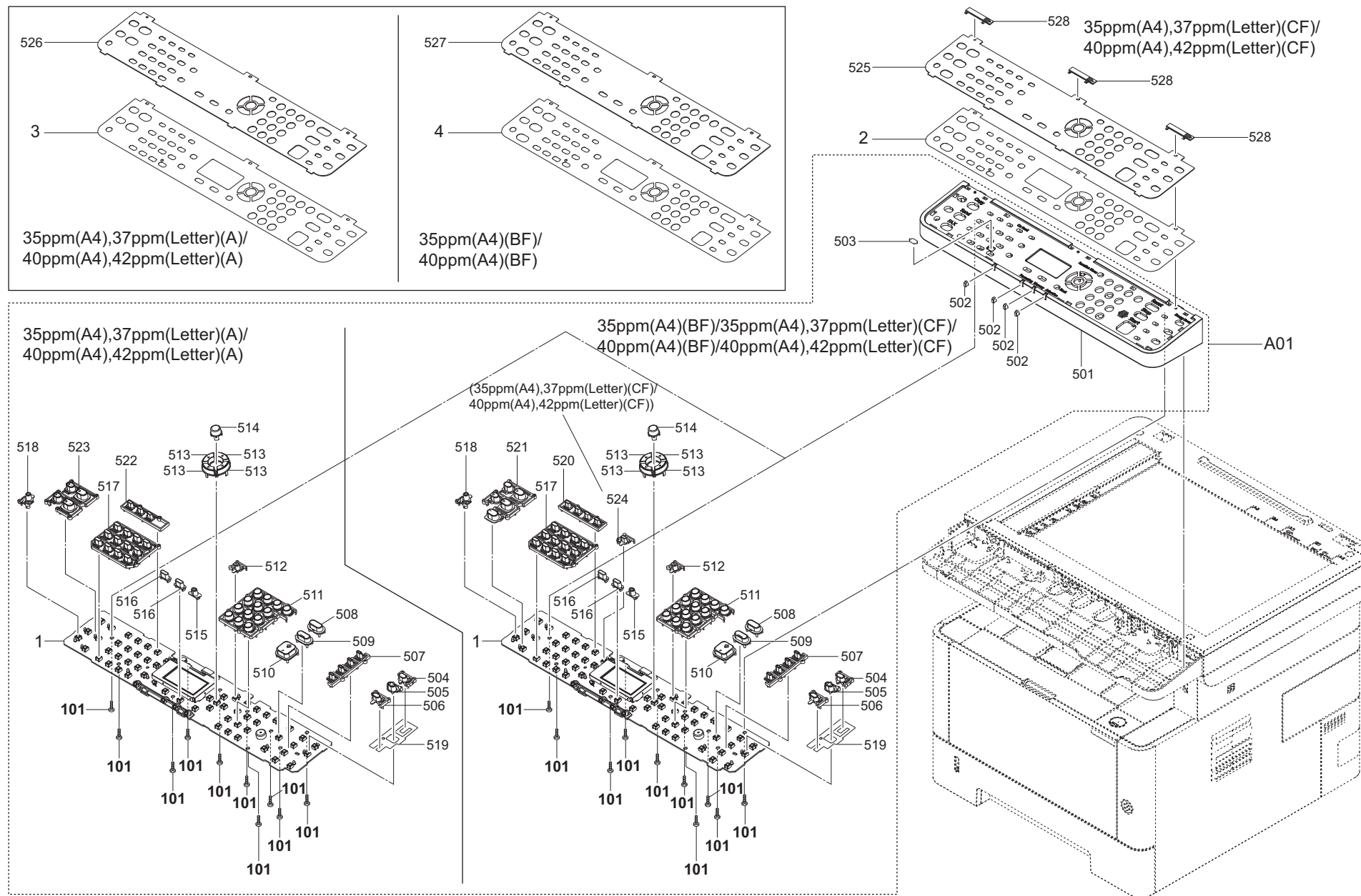


FIG. 21 Operation Section 2

(MFP;35ppm(A4),37ppm(Letter)(A)/35ppm(A4)(BF)/35ppm(A4),37ppm(Letter)(CF)/40ppm(A4),42ppm(Letter)(A)/40ppm(A4)(BF)/40ppm(A4),42ppm(Letter)(CF))

2RV/2RW/2RX/2RY/2S0/2S1/2S2/2SG/2S3/2SH/2S4/2S5-1

Ref. No. 番号	Part.No. 部品番号	Description 部品名称	Notes 備考	Revision 改訂	Quantity 個数			
					100(日本)	120	230	240
A01	302S294010	PARTS OPERATION ASSY SP	35ppm(A4),37ppm(Letter)(CF)/40ppm(A4),42ppm(Letter)(CF)		1	1		
A01	302S194010	PARTS OPERATION ASSY SP	35ppm(A4)(BF)/40ppm(A4)(BF)				1	1
A01	302S094040	PARTS OPERATION ASSY SP	35ppm(A4),37ppm(Letter)(A)/40ppm(A4),42ppm(Letter)(A)			1	1	1
1	*302S094080	PARTS PWB M PANEL ASSY SP			1	1	1	1
2	302S205510	LABEL OPERATION LCD 4 W EN	35ppm(A4),37ppm(Letter)(CF)/40ppm(A4),42ppm(Letter)(CF)			1		
2	302S205520	LABEL OPERATION LCD 4 W JP	40ppm(A4),42ppm(Letter)(CF)		1			
3	302S005510	LABEL OPERATION LCD EN	35ppm(A4),37ppm(Letter)(A)/40ppm(A4),42ppm(Letter)(A)	1:Others		1	1	1
4	302S105510	LABEL OPERATION LCD 4 EN	35ppm(A4)(BF)/40ppm(A4)(BF)				1	1
101	7BB200308H	+BIND T.T P SCREW 3X8						

• Parts with a Ref.No. of 500 and above in the illustration indicate they are not selected for service parts.

• イラスト中で 500 番台の Ref 番号が付いている部品はサービスパーツに選定されていません。

FIG. 22 Operation Section 3 (PRINTER)

2RV/2RW/2RX/2RY/2S0/2S1/2S2/2SG/2S3/2SH/2S4/2S5-1

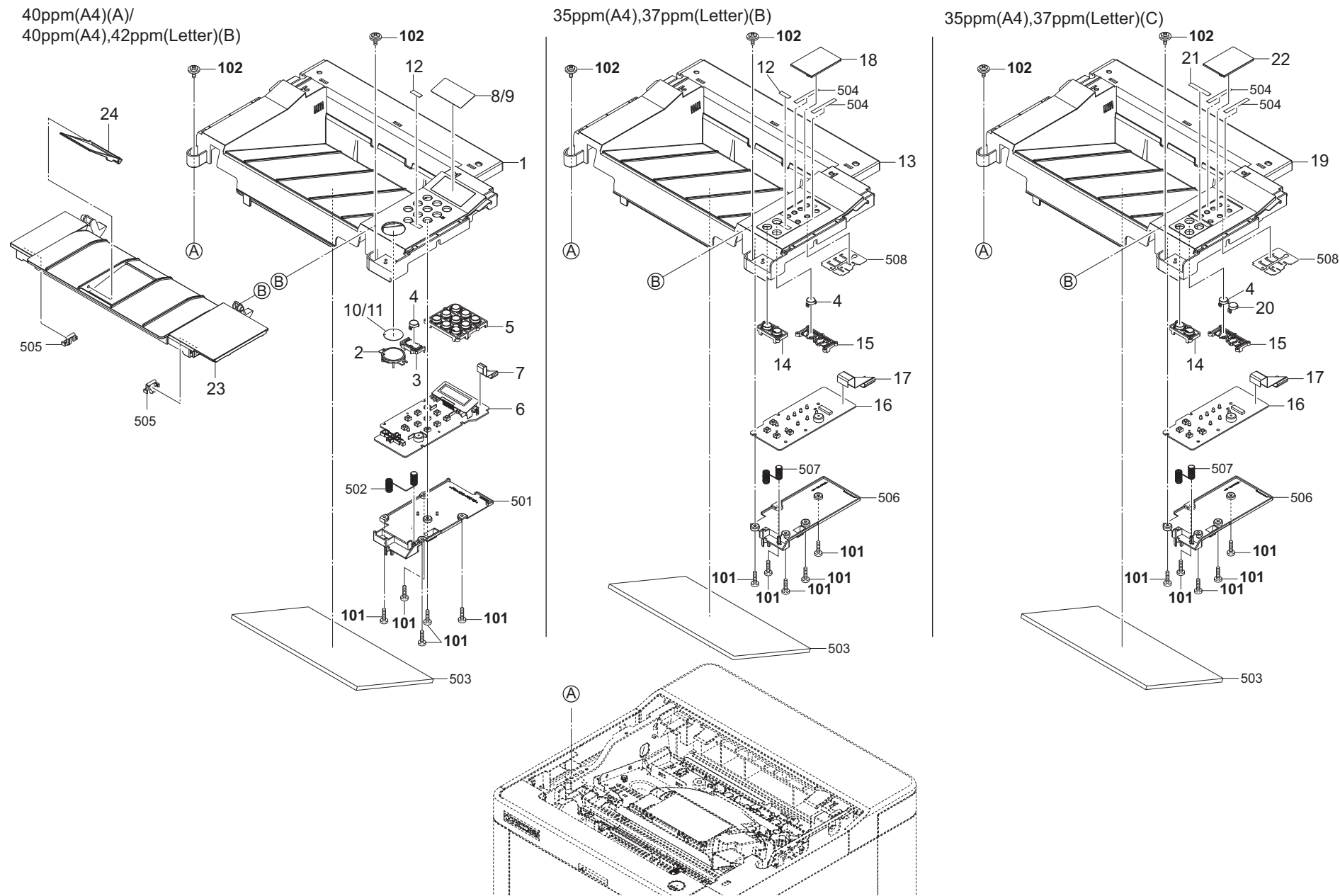


FIG. 22 Operation Section 3 (PRINTER)

2RV/2RW/2RX/2RY/2S0/2S1/2S2/2SG/2S3/2SH/2S4/2S5-2

Ref. No. 番号	Part.No. 部品番号	Description 部品名称	Notes 備考	Revision 改訂	Quantity 個数			
					100(日本)	120	230	240
1	302RX04011	COVER TOP	40ppm(A4)/A/40ppm(A4),42ppm(Letter)(B)	2 :Design-chg.	1	1	1	1
2	302RB05040	INDICATOR	40ppm(A4)/A/40ppm(A4),42ppm(Letter)(B)		1	1	1	1
3	302RB05030	KEY QUIET A	40ppm(A4)/A/40ppm(A4),42ppm(Letter)(B)		1	1	1	1
4	302RB05100	KEY QUIET B			1	1	1	1
5	302RB05020	KEY OPERATION	40ppm(A4)/A/40ppm(A4),42ppm(Letter)(B)			1	1	1
5	302RB05140	KEY OPERATION JP	40ppm(A4),42ppm(Letter)(B)		1			
6	302RX94030	PARTS PWB P PANEL ASSY SP	40ppm(A4)/A/40ppm(A4),42ppm(Letter)(B)		1	1	1	1
7	302RX46010	CONN.CORD ASSY FFC PANEL	40ppm(A4)/A/40ppm(A4),42ppm(Letter)(B)		1	1	1	1
8	302RX05070	PANEL LCD	40ppm(A4)/A				1	1
9	302RY05010	PANEL LCD W	40ppm(A4),42ppm(Letter)(B)		1	1	1	1
10	302RC34010	LABEL INDICATOR	40ppm(A4)/A				1	1
11	302RB34010	LABEL INDICATOR W	40ppm(A4),42ppm(Letter)(B)		1	1	1	1
12	302RB34020	LABEL QUIET MODE EN	35ppm(A4),37ppm(Letter)(B)/40ppm(A4)/40ppm(A4),42ppm(Letter)(B)			1	1	1
12	302RB34030	LABEL QUIET MODE JP	40ppm(A4),42ppm(Letter)(B)		1			
13	302RV04011	COVER TOP	35ppm(A4),37ppm(Letter)(B)	2 :Design-chg.		1	1	1
14	302RV05010	KEY GO-CANCEL	35ppm(A4),37ppm(Letter)(B)/35ppm(A4),37ppm(Letter)(C)			1	1	1
15	302RV05020	KEY QUIET-WIFI	35ppm(A4),37ppm(Letter)(B)/35ppm(A4),37ppm(Letter)(C)			1	1	1
16	302RV94100	PARTS PWB L PANEL ASSY SP	35ppm(A4),37ppm(Letter)(B)/35ppm(A4),37ppm(Letter)(C)			1	1	1
17	302RV46180	CONN.CORD ASSY FFC PANEL	35ppm(A4),37ppm(Letter)(B)/35ppm(A4),37ppm(Letter)(C)			1	1	1
18	302RV05030	COVER LED	35ppm(A4),37ppm(Letter)(B)			1	1	1
19	302RW04011	COVER TOP	35ppm(A4),37ppm(Letter)(C)	2 :Design-chg.		1	1	1
20	302RV05090	KEY WIFI	35ppm(A4),37ppm(Letter)(C)			1	1	1
21	302RW34010	LABEL QUIET-WIFI	35ppm(A4),37ppm(Letter)(C)			1	1	1
22	302RW05020	COVER LED	35ppm(A4),37ppm(Letter)(C)			1	1	1
23	302RV04020	LID TOP			1	1	1	1
24	302RV04220	STOPPER			1	1	1	1
101	7BB200312H	+BIND T.T P SCREW 3X12						
102	7BB782308H	+TP-FLAT T.T S SCREW 3X8 SR(BLACK)						

• Parts with a Ref.No. of 500 and above in the illustration indicate they are not selected for service parts.

• イラスト中で 500 番台の Ref 番号が付いている部品はサービスパーツに選定されていません。

FIG. 23 DP Unit

2RV/2RW/2RX/2RY/2S0/2S1/2S2/2SG/2S3/2SH/2S4/2S5

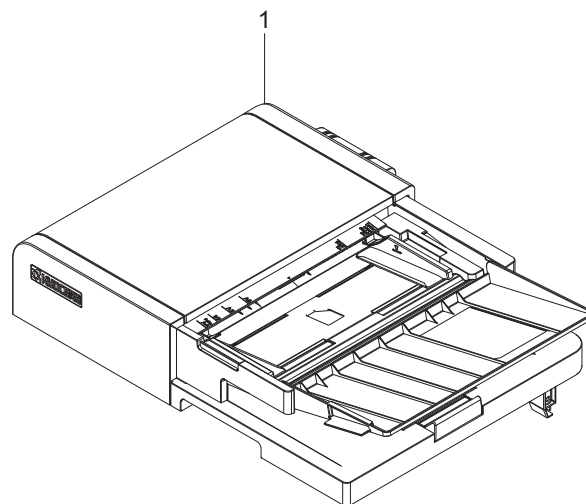


FIG. 23 DP Unit

2RV/2RW/2RX/2RY/2S0/2S1/2S2/2SG/2S3/2SH/2S4/2S5

Ref. No. 番号	Part.No. 部品番号	Description 部品名称	Notes 備考	Revision 改訂	Quantity 個数			
					100(日本)	120	230	240
1	302S093020	PARTS DP UNIT SP (U)	35ppm(A4),37ppm(Letter)(A)/35ppm(A4),37ppm(Letter)(CF)			1		
1	302S093010	PARTS DP UNIT SP (E)	35ppm(A4),37ppm(Letter)(A)/35ppm(A4)(BF)/35ppm(A4)(DF)				1	1
1	302S393020	PARTS DP UNIT SP (U)	40ppm(A4),42ppm(Letter)(A)/40ppm(A4),42ppm(Letter)(CF)/ 40ppm(A4),42ppm(Letter)(DF)			1		
1	302S393010	PARTS DP UNIT SP (E)	40ppm(A4),42ppm(Letter)(A)/40ppm(A4)(BF)/ 40ppm(A4),42ppm(Letter)(CF)/40ppm(A4),42ppm(Letter)(DF)		1	1	1	1

• Parts with a Ref.No. of 500 and above in the illustration indicate they are not selected for service parts.

• イラスト中で 500 番台の Ref 番号が付いている部品はサービスパーツに選定されていません。

FIG. 24 DP Covers

2RV/2RW/2RX/2RY/2S0/2S1/2S2/2SG/2S3/2SH/2S4/2S5-1

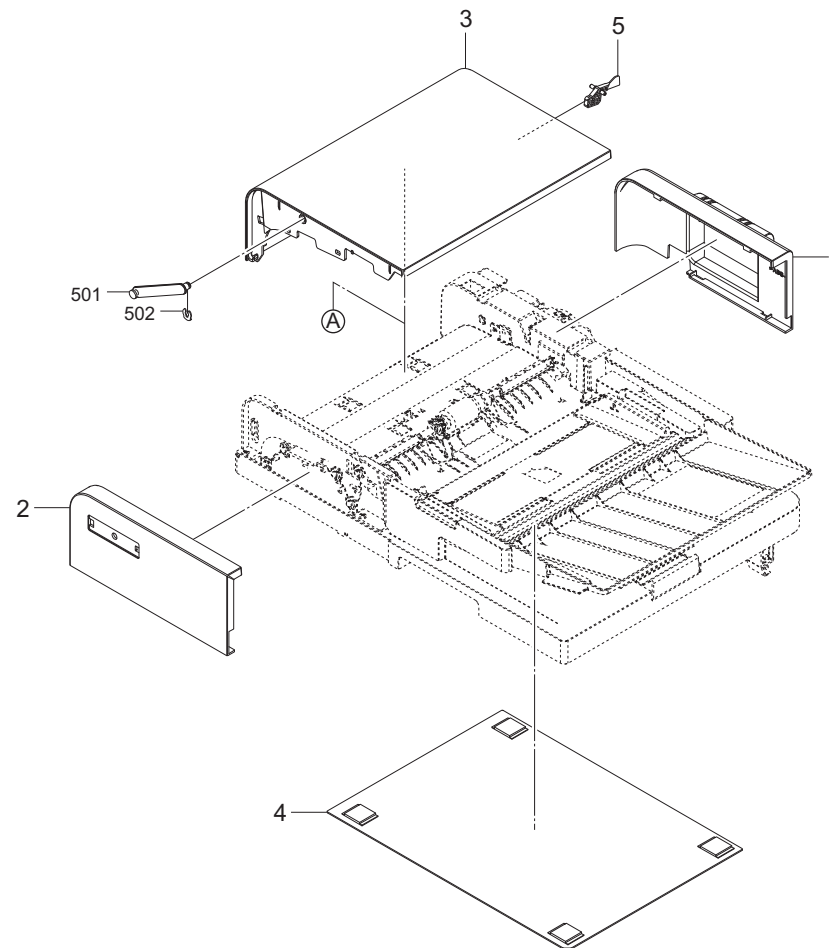
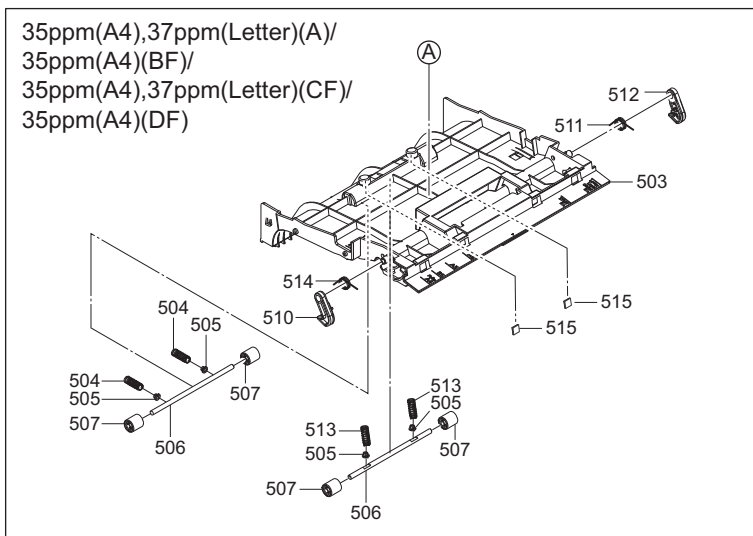
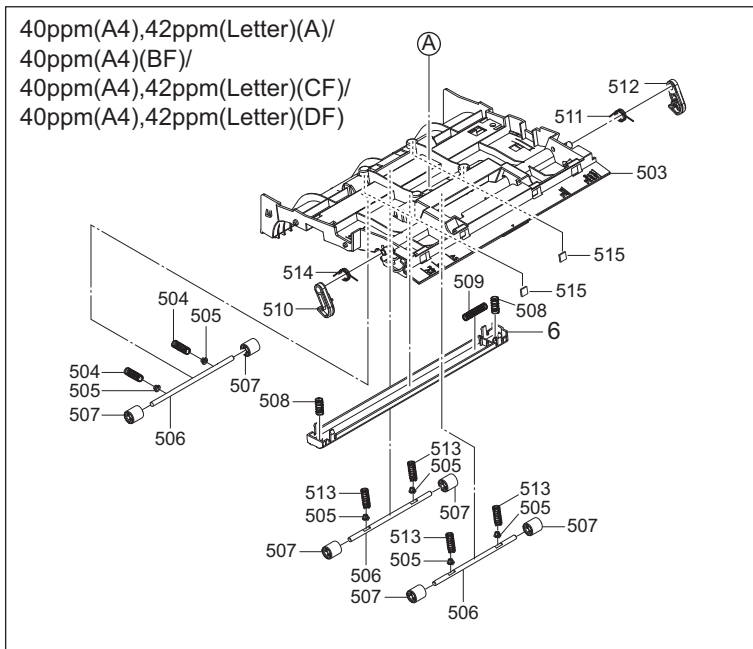


FIG. 25 DP Frame

2RV/2RW/2RX/2RY/2S0/2S1/2S2/2SG/2S3/2SH/2S4/2S5

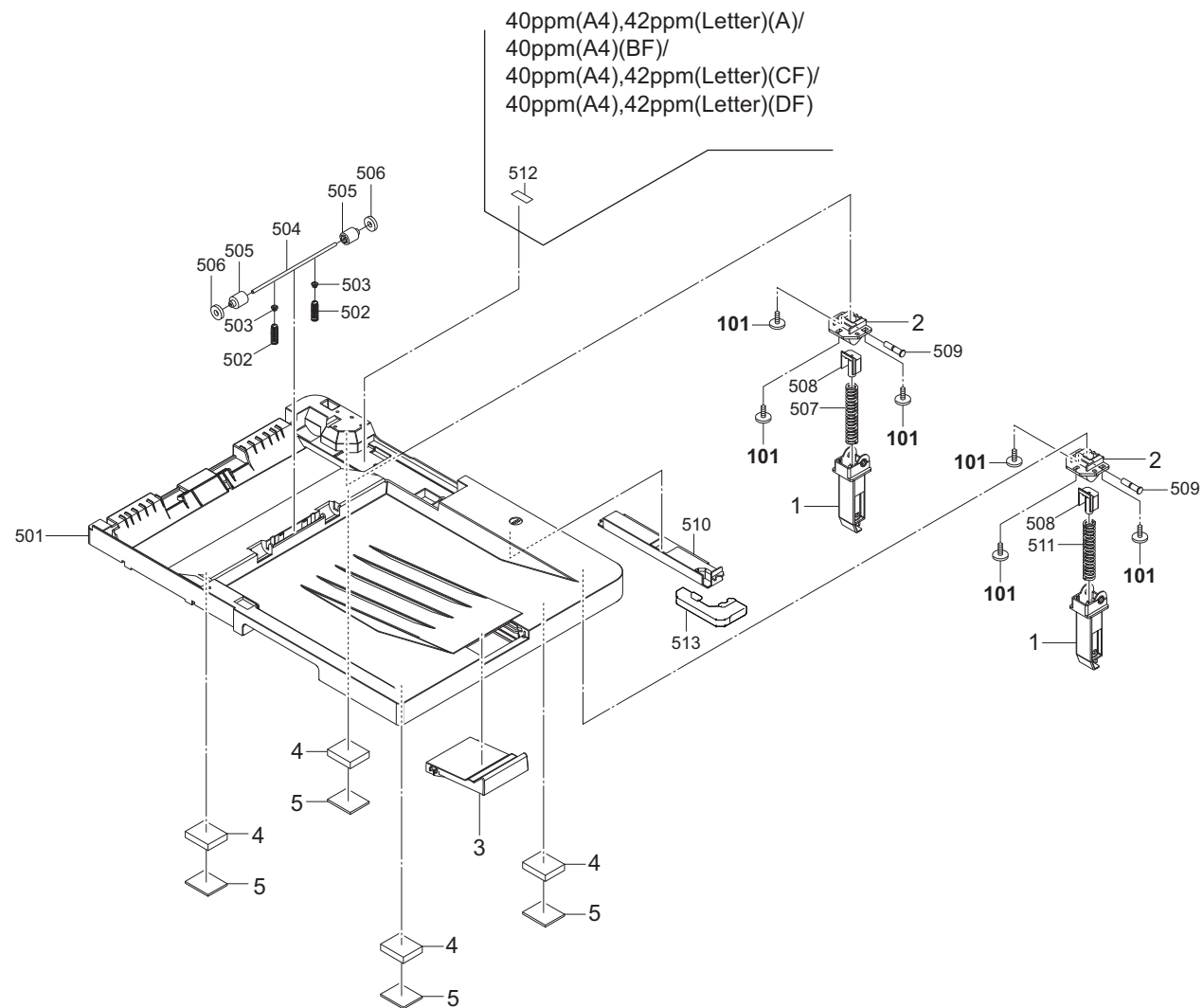


FIG. 25 DP Frame

2RV/2RW/2RX/2RY/2S0/2S1/2S2/2SG/2S3/2SH/2S4/2S5-6

Ref. No. 番号	Part.No. 部品番号	Description 部品名称	Notes 備考	Revision 改訂	Quantity 個数			
					100(日本)	120	230	240
1	302S018610	HINGE LOW			2	2	2	2
2	302S018620	HINGE UP			2	2	2	2
3	302S018250	STOPPER ORIGINAL			1	1	1	1
4	303MX02110	SPONGE ORIGINAL MAT		6:Part No.-chg.	4	4	4	4
5	303MX02032	CUSHION ORIGINAL MAT B		6:Design-chg.	4	4	4	4
101	7BB202310H	+TP-FLAT T.T P SCREW 3X10						

• Parts with a Ref.No. of 500 and above in the illustration indicate they are not selected for service parts.

• イラスト中で 500 番台の Ref 番号が付いている部品はサービスパーツに選定されていません。

FIG. 26 DP Paper Feed Section

2RV/2RW/2RX/2RY/2S0/2S1/2S2/2SG/2S3/2SH/2S4/2S5

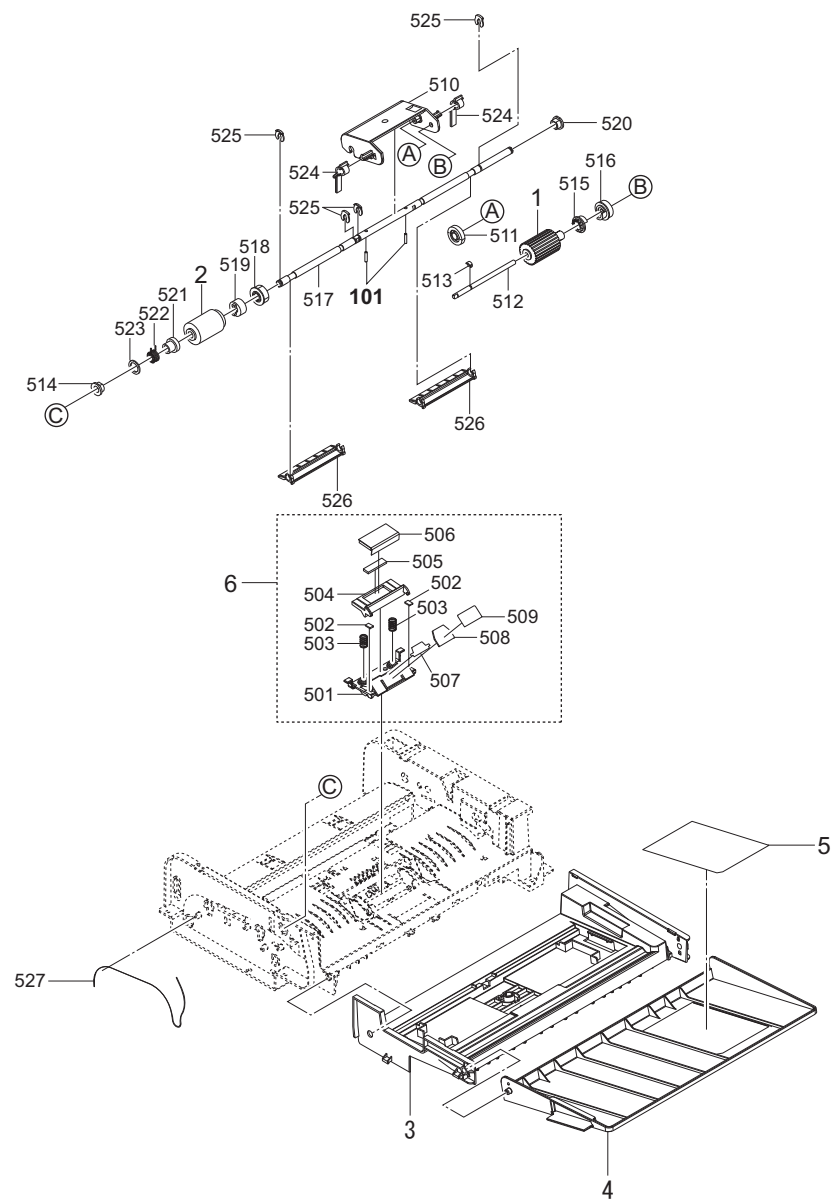


FIG. 26 DP Paper Feed Section

2RV/2RW/2RX/2RY/2S0/2S1/2S2/2SG/2S3/2SH/2S4/2S5-2

Ref. No. 番号	Part.No. 部品番号	Description 部品名称	Notes 備考	Revision 改訂	Quantity 個数			
					100(日本)	120	230	240
1	36211110	PULLEY,LEADING FEED ADF			1	1	1	1
2	3BR07040	PULLEY,PAPER FEED			1	1	1	1
3	302S094020	PARTS TABLE MAIN ASSY SP		2:Others	1	1	1	1
4	302S018440	COVER TABLE			1	1	1	1
5	302S334030	LABEL DP TABLE	40ppm(A4),42ppm(Letter)(A)/40ppm(A4)(BF)/ 40ppm(A4),42ppm(Letter)(CF)/40ppm(A4),42ppm(Letter)(DF)		1	1	1	1
5	302S034030	LABEL DP TABLE	35ppm(A4),37ppm(Letter)(A)/35ppm(A4)(BF)/ 35ppm(A4),37ppm(Letter)(CF)/35ppm(A4)(DF)			1	1	1
6	302S094050	PARTS HOLDER PAD ASSY SP						
101	7BP512010B0CH01	PARALLEL PIN 2.0X10						

• Parts with a Ref.No. of 500 and above in the illustration indicate they are not selected for service parts.

• イラスト中で 500 番台の Ref 番号が付いている部品はサービスパーツに選定されていません。

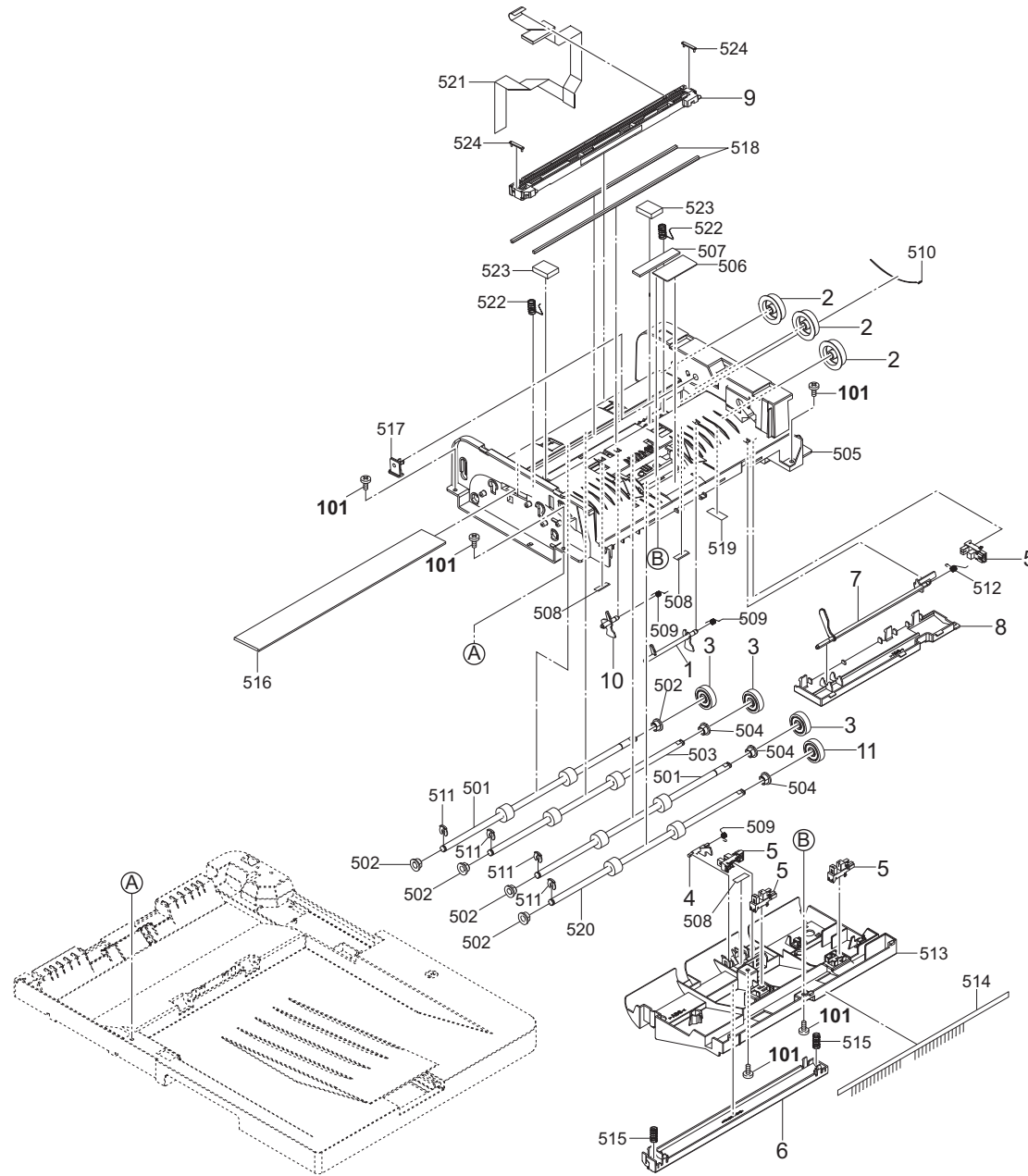


FIG. 27 DP Conveying Section
 (40ppm(A4),42ppm(Letter)(A)/40ppm(A4)(BF)/40ppm(A4),42ppm(Letter)(CF)/
 40ppm(A4),42ppm(Letter)(DF))

2RV/2RW/2RX/2RY/2S0/2S1/2S2/2SG/2S3/2SH/2S4/2S5-1

Ref. No. 番号	Part.No. 部品番号	Description 部品名称	Notes 備考	Revision 改訂	Quantity 個数			
					100(日本)	120	230	240
1	302S018260	ACTUATOR TIMING C			1	1	1	1
2	302S018370	GEAR Z30R			3	3	3	3
3	302S018170	GEAR Z25L			3	3	3	3
4	302S018150	ACTUATOR TIMING A			1	1	1	1
5	302P794010	PARTS SENSOR OPT. SP			4	4	4	4
6	302S018121	GUIDE READING		1:Design-chg.	1	1	1	1
7	302S018180	ACTUATOR SET			1	1	1	1
8	302S018690	COVER PI			1	1	1	1
9	302R794320	PARTS SENSOR A4 CIS SP			1	1	1	1
10	302S318030	ACTUATOR TIMING B			1	1	1	1
11	303LL31430	GEAR Z25L			1	1	1	1
101	7BB200308H	+BIND T.T P SCREW 3X8						

• Parts with a Ref.No. of 500 and above in the illustration indicate they are not selected for service parts.

• イラスト中で 500 番台の Ref 番号が付いている部品はサービスパーツに選定されていません。

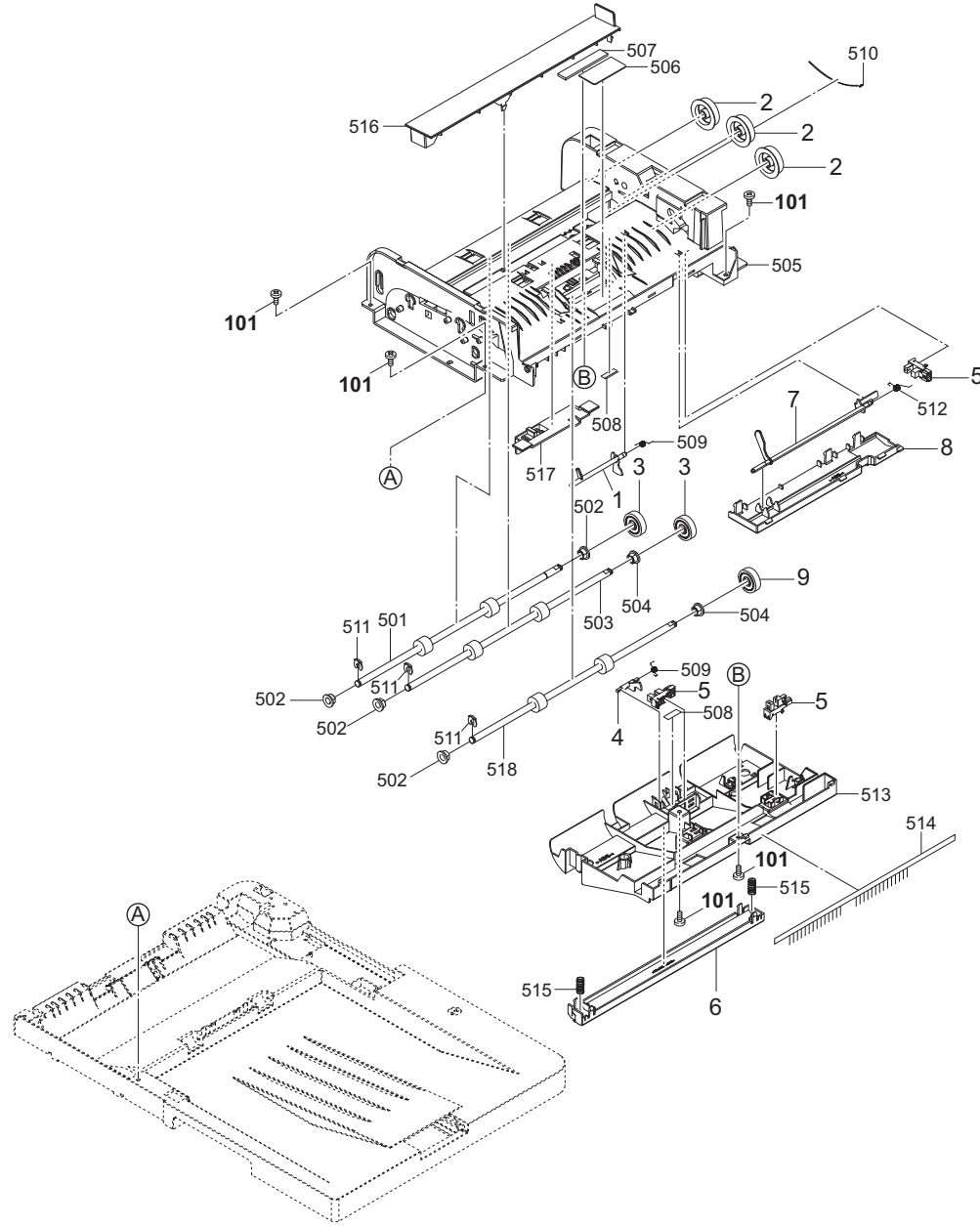


FIG. 28 DP Conveying Section
 (35ppm(A4),37ppm(Letter)(A)/35ppm(A4)(BF)/35ppm(A4),37ppm(Letter)(CF)/
 35ppm(A4)(DF))

2RV/2RW/2RX/2RY/2S0/2S1/2S2/2SG/2S3/2SH/2S4/2S5-1

Ref. No. 番号	Part.No. 部品番号	Description 部品名称	Notes 備考	Revision 改訂	Quantity 個数			
					100(日本)	120	230	240
1	302S018260	ACTUATOR TIMING C			1	1	1	1
2	302S018370	GEAR Z30R			3	3	3	3
3	303LL31430	GEAR Z25L			2	2	2	2
4	302S018150	ACTUATOR TIMING A			1	1	1	1
5	302P794010	PARTS SENSOR OPT. SP			3	3	3	3
6	302S018121	GUIDE READING		1:Design-chg.	1	1	1	1
7	302S018180	ACTUATOR SET			1	1	1	1
8	302S018690	COVER PI			1	1	1	1
9	303LL31430	GEAR Z25L			1	1	1	1
101	7BB200308H	+BIND T.T P SCREW 3X8						

• Parts with a Ref.No. of 500 and above in the illustration indicate they are not selected for service parts.

• イラスト中で 500 番台の Ref 番号が付いている部品はサービスパーツに選定されていません。

FIG. 29 DP Drive Section

2RV/2RW/2RX/2RY/2S0/2S1/2S2/2SG/2S3/2SH/2S4/2S5

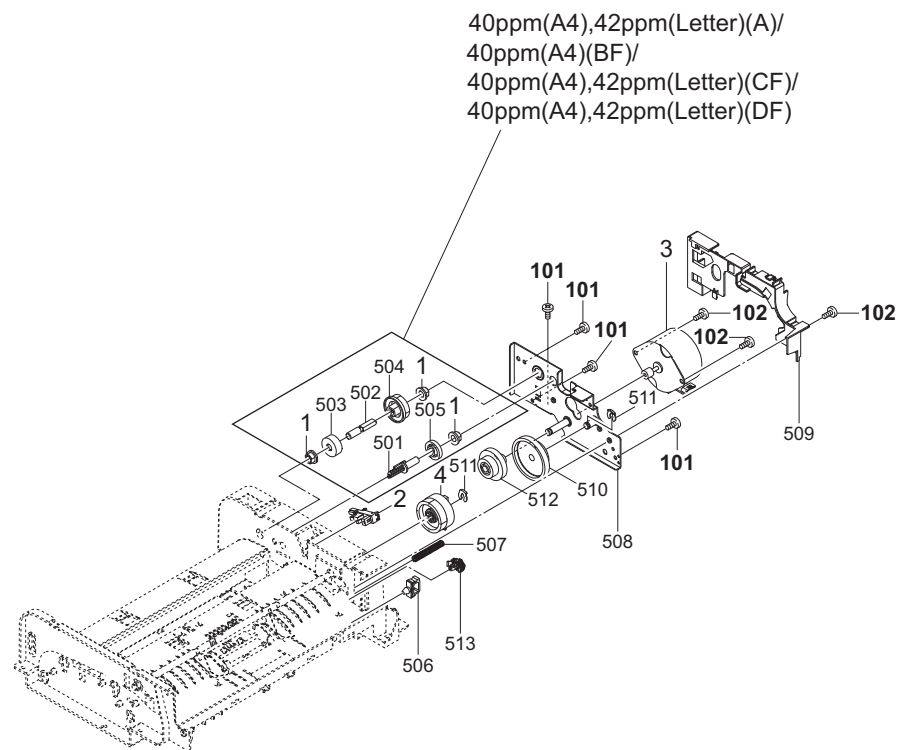


FIG. 30 Wire Sections 1 (MFP 1)

2RV/2RW/2RX/2RY/2S0/2S1/2S2/2SG/2S3/2SH/2S4/2S5

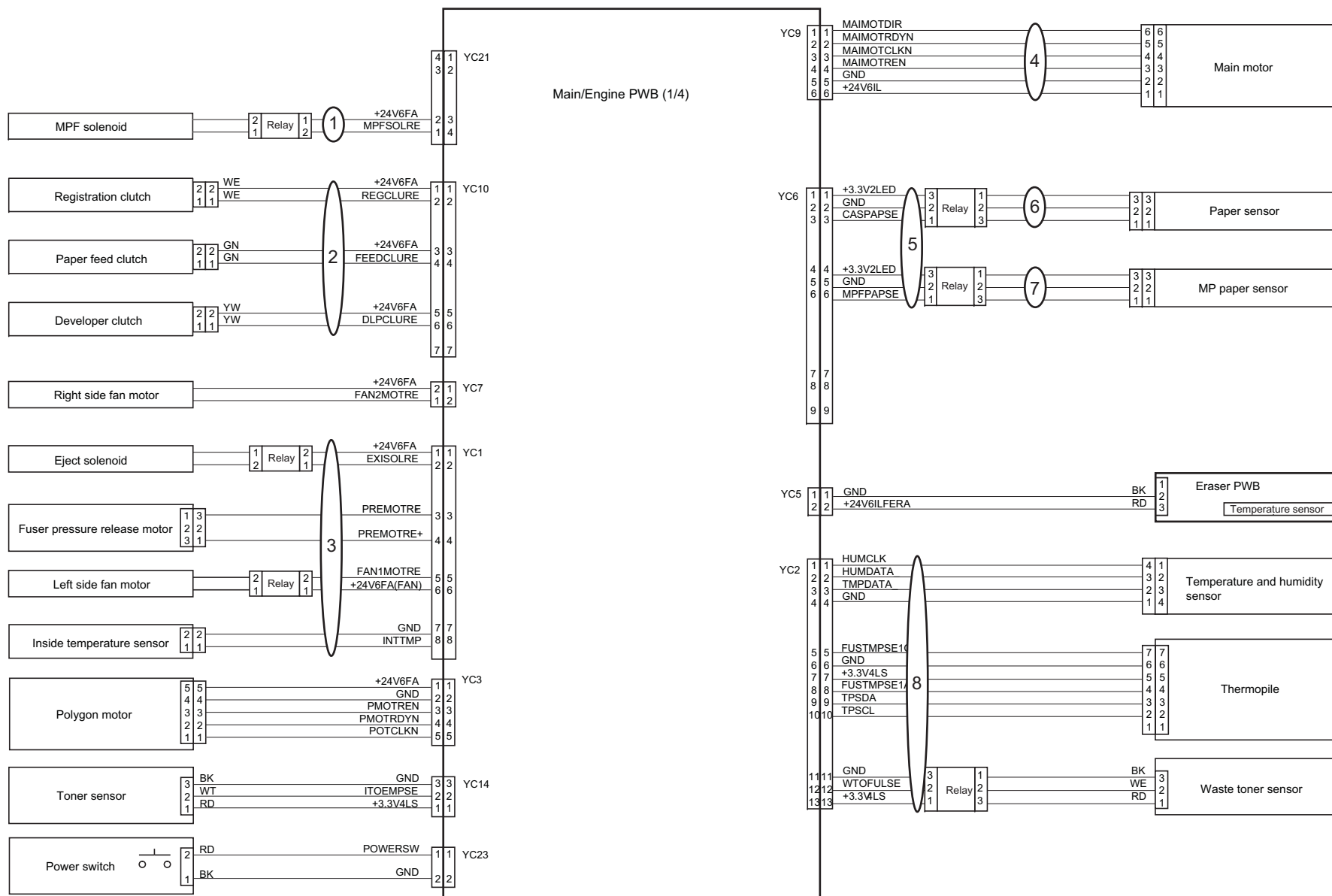


FIG. 31 Wire Sections 2 (MFP 2)

2RV/2RW/2RX/2RY/2S0/2S1/2S2/2SG/2S3/2SH/2S4/2S5

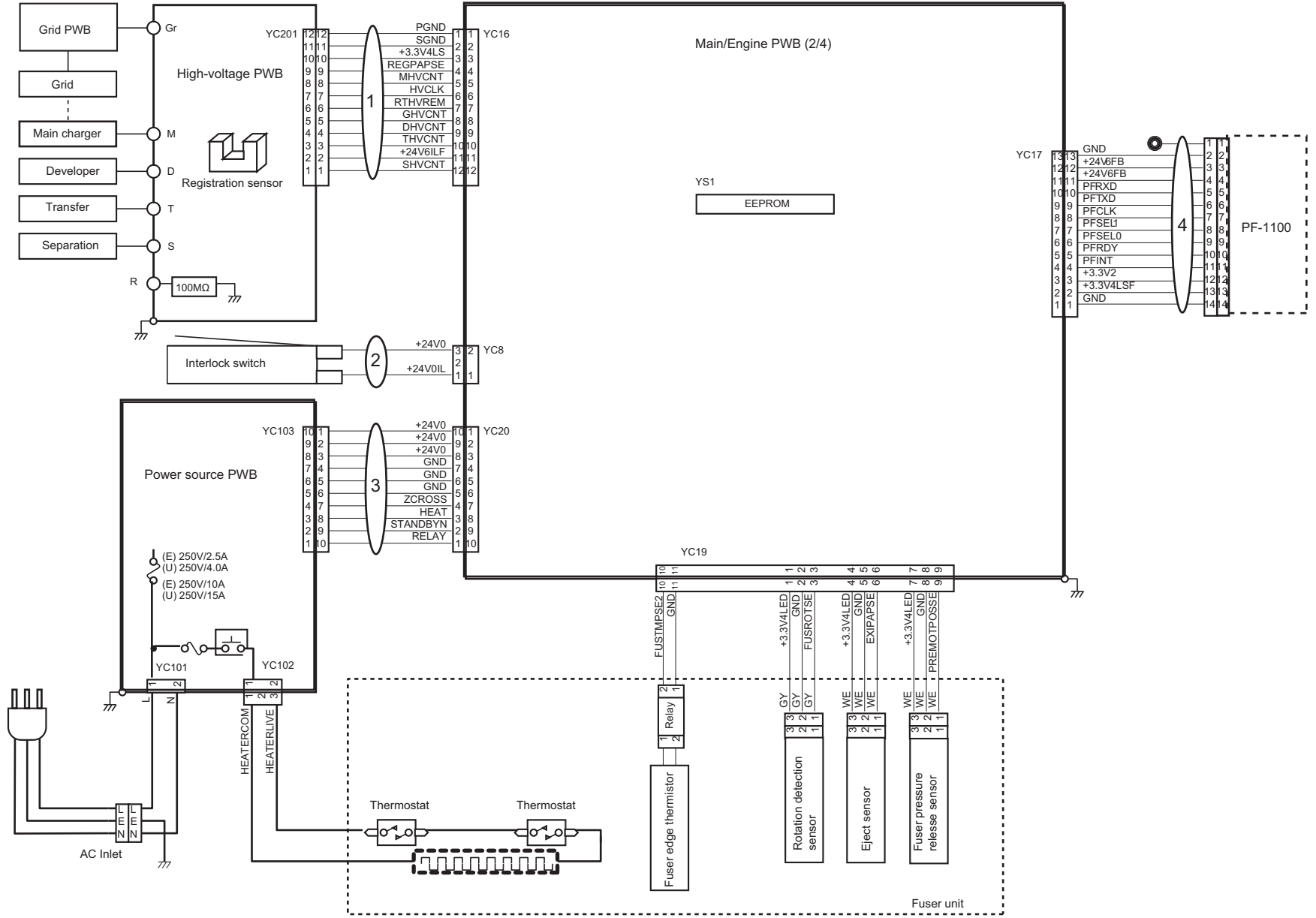


FIG. 32 Wire Sections 3 (MFP 3)

2RV/2RW/2RX/2RY/2S0/2S1/2S2/2SG/2S3/2SH/2S4/2S5

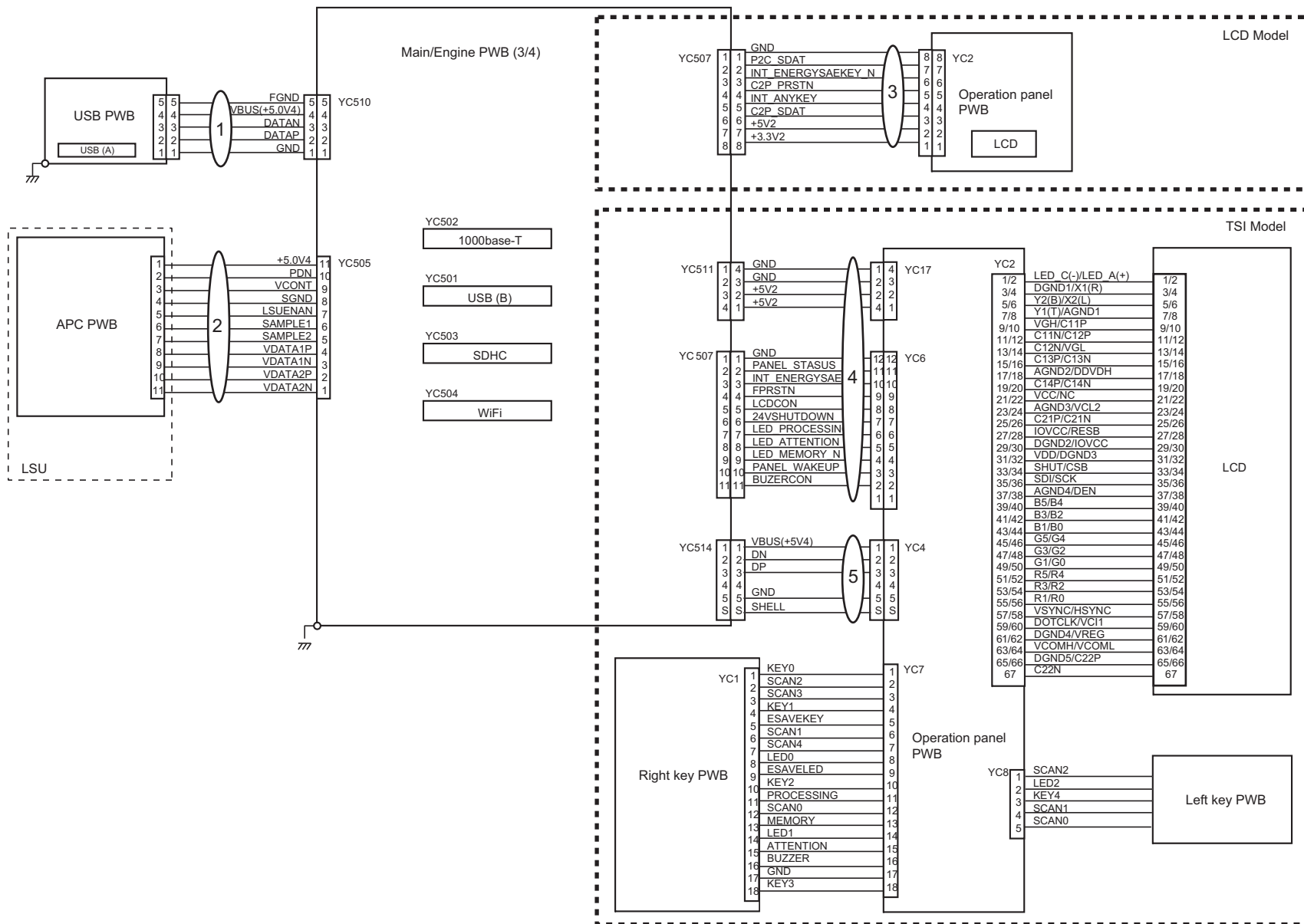


FIG. 33 Wire Sections 4 (MFP 4)

2RV/2RW/2RX/2RY/2S0/2S1/2S2/2SG/2S3/2SH/2S4/2S5

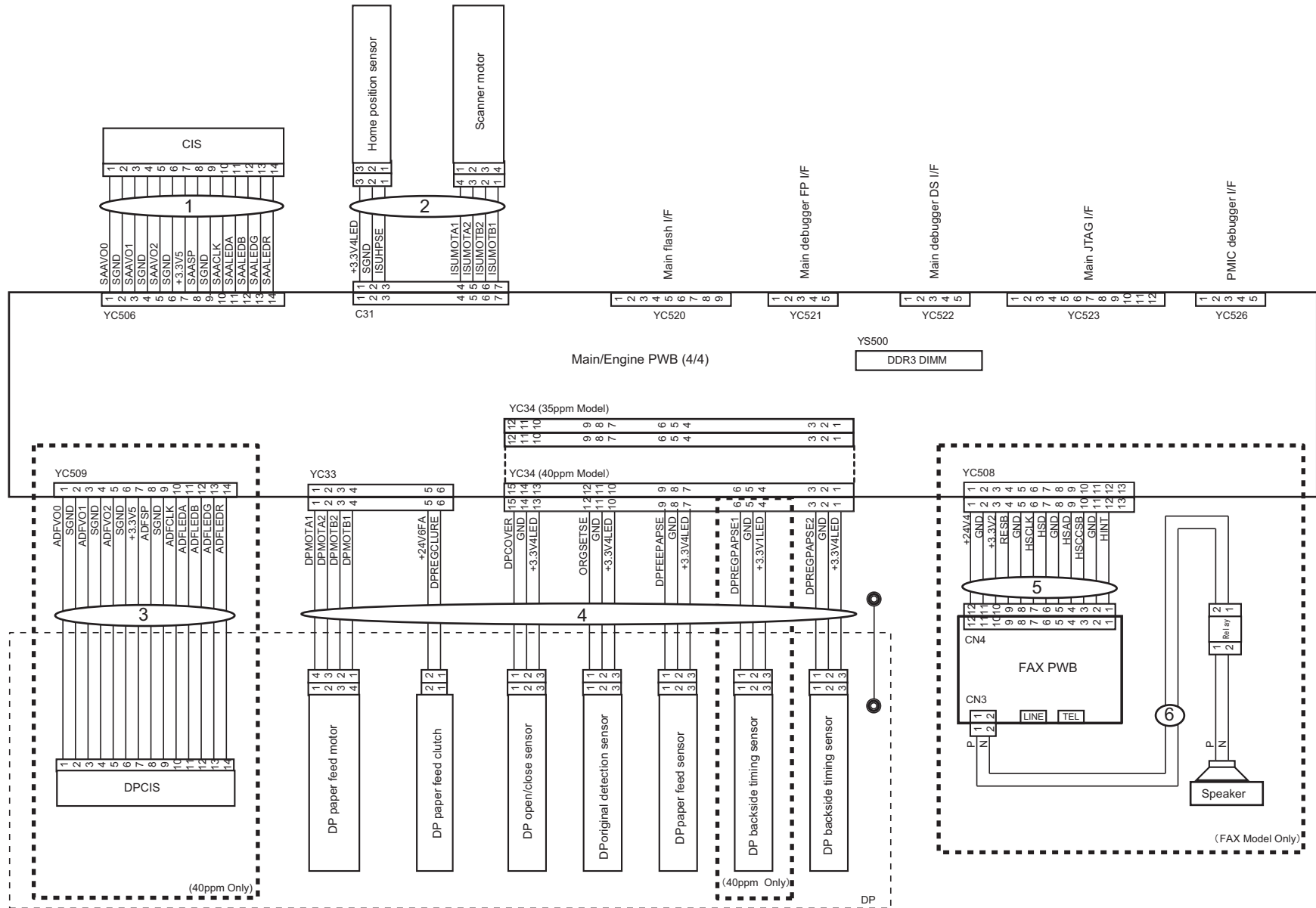


FIG. 33 Wire Sections 4 (MFP 4)

2RV/2RW/2RX/2RY/2S0/2S1/2S2/2SG/2S3/2SH/2S4/2S5

Ref. No. 番号	Part.No. 部品番号	Description 部品名称	Notes 備考	Revision 改訂	Quantity 個数			
					100(日本)	120	230	240
1	302S046020	CONN.CORD ASSY FFC ISU			1	1	1	1
2	302S046010	CONN.CORD ASSY ISU MOTOR			1	1	1	1
3	302S346030	CONN.CORD ASSY FFC DP INCH	40ppm(A4),42ppm(Letter)(A)/40ppm(A4),42ppm(Letter)(CF)/ 40ppm(A4),42ppm(Letter)(DF)			1		
3	302S346010	CONN.CORD ASSY FFC DP	40ppm(A4),42ppm(Letter)(A)/40ppm(A4)(BF)/ 40ppm(A4),42ppm(Letter)(CF)/40ppm(A4),42ppm(Letter)(DF)		1		1	1
4	302S046060	CONN.CORD ASSY DP INCH	35ppm(A4),37ppm(Letter)(A)/35ppm(A4),37ppm(Letter)(CF)			1		
4	302S046030	CONN.CORD ASSY DP	35ppm(A4),37ppm(Letter)(A)/35ppm(A4)(BF)/35ppm(A4)(DF)				1	1
4	302S346040	CONN.CORD ASSY DP INCH	40ppm(A4),42ppm(Letter)(A)/40ppm(A4),42ppm(Letter)(CF)/ 40ppm(A4),42ppm(Letter)(DF)			1		
4	302S346020	CONN.CORD ASSY DP	40ppm(A4),42ppm(Letter)(A)/40ppm(A4)(BF)/ 40ppm(A4),42ppm(Letter)(CF)/40ppm(A4),42ppm(Letter)(DF)		1		1	1
5	302S146010	CONN.CORD ASSY FAX	35ppm(A4)(BF)/35ppm(A4),37ppm(Letter)(CF)/35ppm(A4)(DF)/ 40ppm(A4)(BF)/40ppm(A4),42ppm(Letter)(CF)/ 40ppm(A4),42ppm(Letter)(DF)		1	1	1	1
6	302S146020	CONN.CORD ASSY FAX CONN	35ppm(A4)(BF)/35ppm(A4),37ppm(Letter)(CF)/35ppm(A4)(DF)/ 40ppm(A4)(BF)/40ppm(A4),42ppm(Letter)(CF)/ 40ppm(A4),42ppm(Letter)(DF)		1	1	1	1

• Parts with a Ref.No. of 500 and above in the illustration indicate they are not selected for service parts.

• イラスト中で 500 番台の Ref 番号が付いている部品はサービスパーツに選定されていません。

FIG. 34 Wire Sections 5 (PRINTER 1)

2RV/2RW/2RX/2RY/2S0/2S1/2S2/2SG/2S3/2SH/2S4/2S5

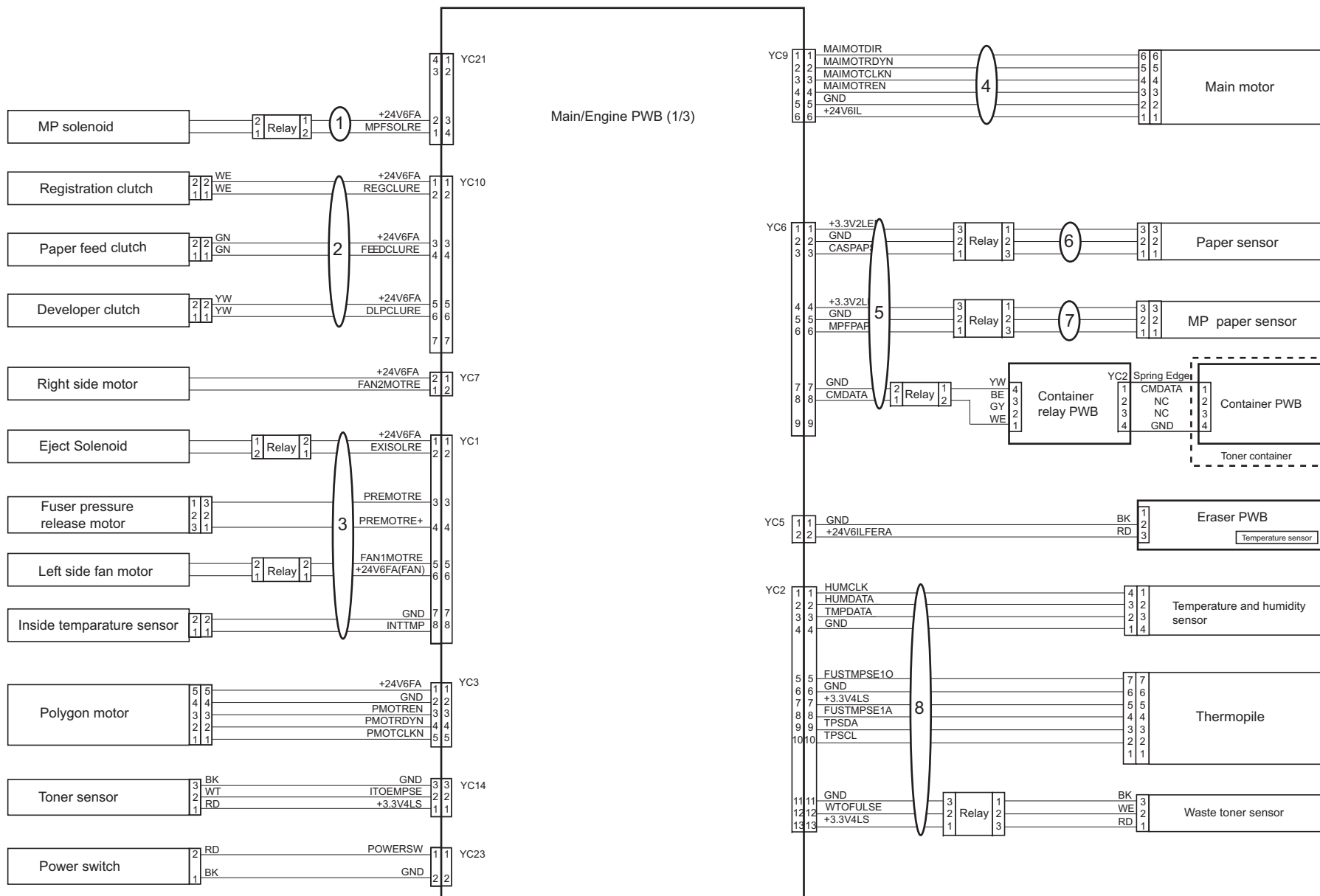


FIG. 35 Wire Sections 6 (PRINTER 2)

2RV/2RW/2RX/2RY/2S0/2S1/2S2/2SG/2S3/2SH/2S4/2S5

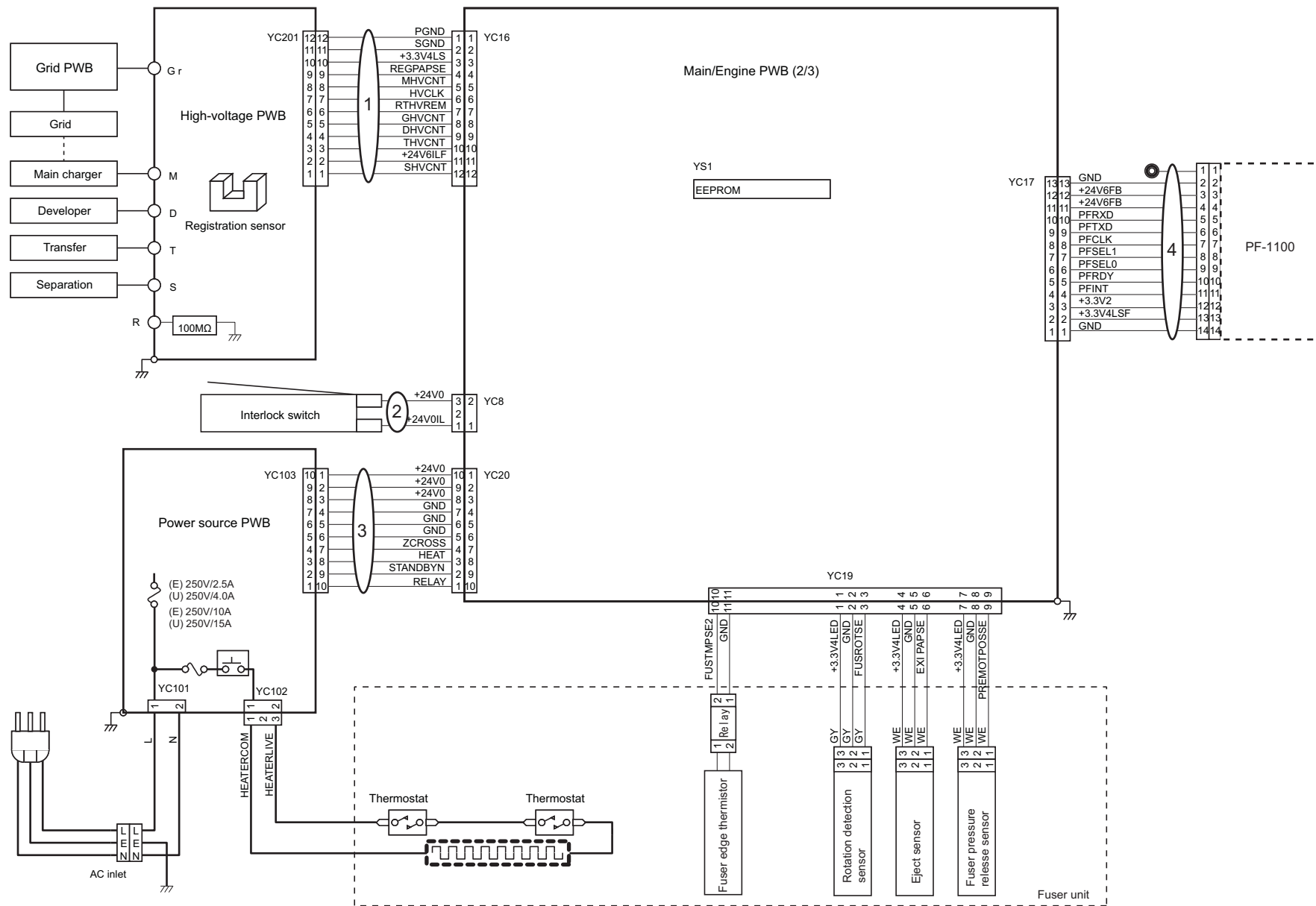


FIG. 36 Wire Sections 7 (PRINTER 3)

2RV/2RW/2RX/2RY/2S0/2S1/2S2/2SG/2S3/2SH/2S4/2S5

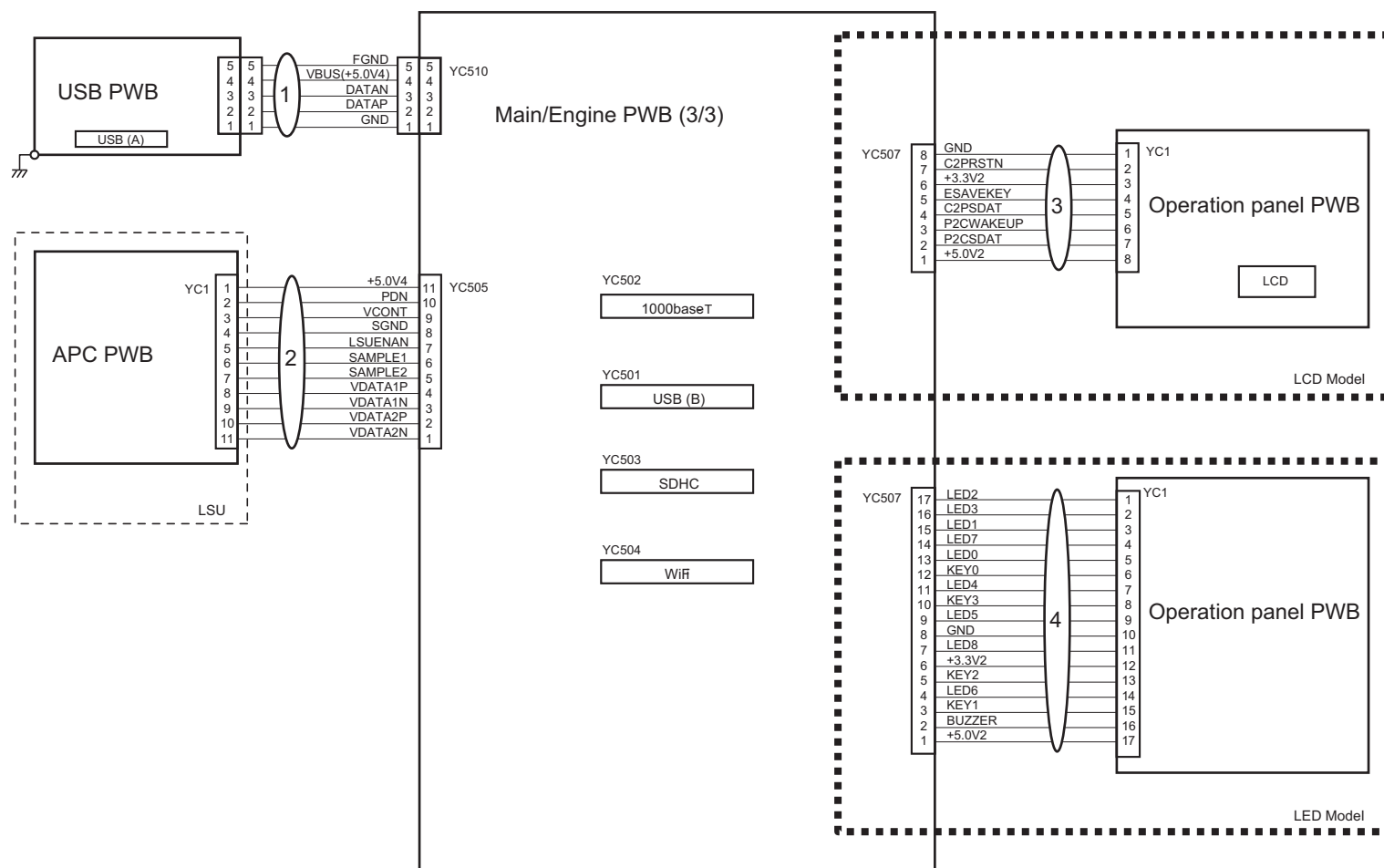


FIG. 37 Accessories

2RV/2RW/2RX/2RY/2S0/2S1/2S2/2SG/2S3/2SH/2S4/2S5-2

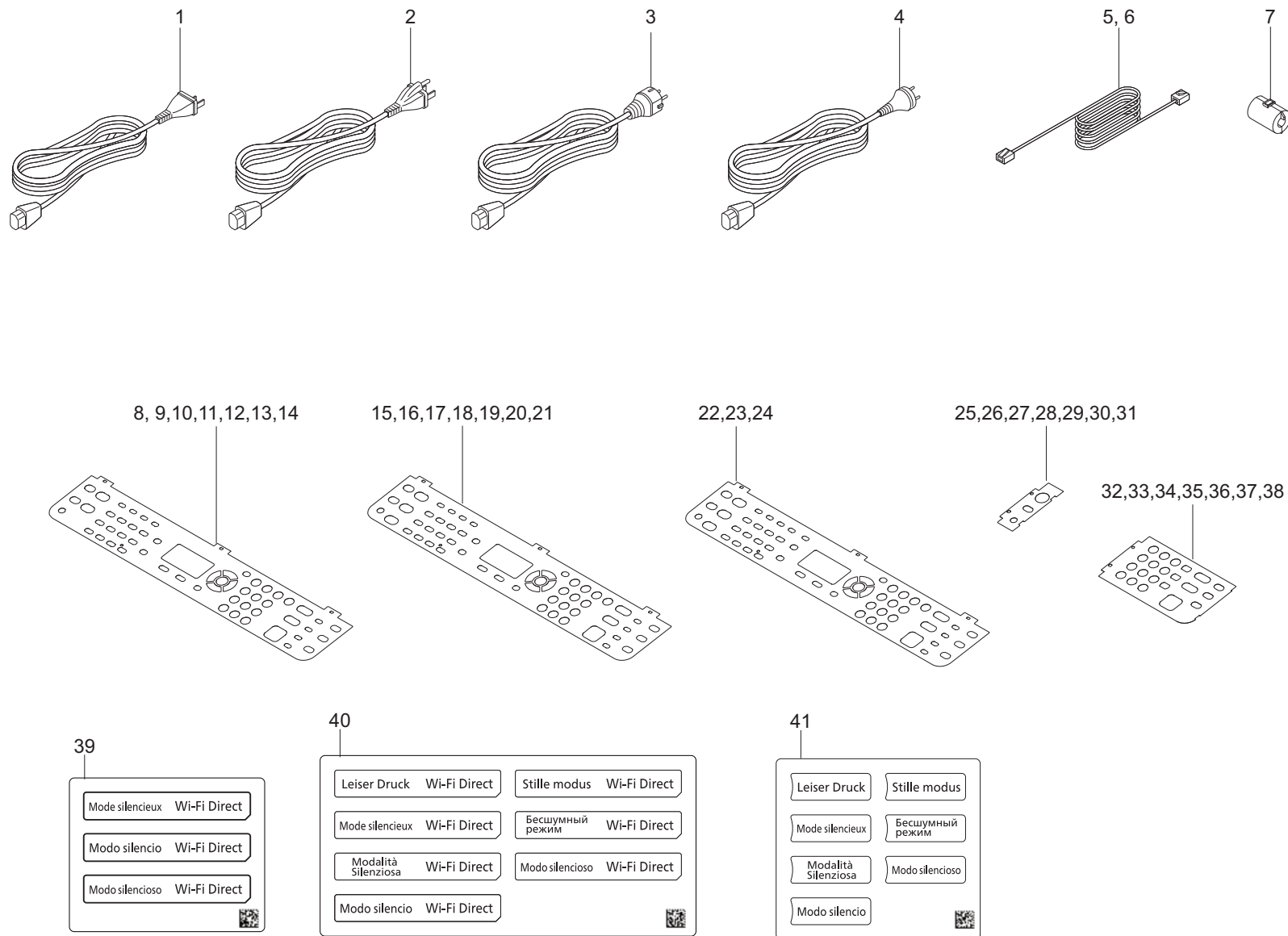


FIG. 37 Accessories

2RV/2RW/2RX/2RY/2S0/2S1/2S2/2SG/2S3/2SH/2S4/2S5

Ref. No. 番号	Part.No. 部品番号	Description 部品名称	Notes 備考	Revision 改訂	Quantity 個数			
					100(日本)	120	230	240
1	7AAACCJP+12H009	AC CORD ASSY JP			1			
2	7AAACCUS+10H001	AC CORD ASSY US				1		
3	302FV94010	PARTS AC CORD EU SP					1	
4	302FV45040	AC CORD ASSY						1
5	303HZ45010	MODULAR CORD	35ppm(A4),37ppm(Letter)(CF)/40ppm(A4),42ppm(Letter)(CF)/ 40ppm(A4),42ppm(Letter)(DF)		1	1		
6	303R246010	MODULAR CORD AUSTRALIA	35ppm(A4)(BF)/35ppm(A4)(DF)/40ppm(A4)(BF)/ 40ppm(A4),42ppm(Letter)(DF)					1
7	7YBEG6G6U001H01	FERRITE CORE	35ppm(A4)(BF)/35ppm(A4),37ppm(Letter)(CF)/35ppm(A4)(DF)/ 40ppm(A4)(BF)/40ppm(A4),42ppm(Letter)(CF)/ 40ppm(A4),42ppm(Letter)(DF)		1	1	1	1
8	302S005530	LABEL OPERATION LCD FRA	35ppm(A4),37ppm(Letter)(A)/40ppm(A4),42ppm(Letter)(A)			1	1	
9	302S005540	LABEL OPERATION LCD SPA	35ppm(A4),37ppm(Letter)(A)/40ppm(A4),42ppm(Letter)(A)			1	1	
10	302S005550	LABEL OPERATION LCD PTB	35ppm(A4),37ppm(Letter)(A)/40ppm(A4),42ppm(Letter)(A)			1	1	
11	302S005560	LABEL OPERATION LCD GER	35ppm(A4),37ppm(Letter)(A)/40ppm(A4),42ppm(Letter)(A)				1	
12	302S005570	LABEL OPERATION LCD ITA	35ppm(A4),37ppm(Letter)(A)/40ppm(A4),42ppm(Letter)(A)				1	
13	302S005580	LABEL OPERATION LCD DUT	35ppm(A4),37ppm(Letter)(A)/40ppm(A4),42ppm(Letter)(A)				1	
14	302S005590	LABEL OPERATION LCD RUS	35ppm(A4),37ppm(Letter)(A)/40ppm(A4),42ppm(Letter)(A)				1	

• Parts with a Ref.No. of 500 and above in the illustration indicate they are not selected for service parts.

• イラスト中で 500 番台の Ref 番号が付いている部品はサービスパーツに選定されていません。

FIG. 37 Accessories

2RV/2RW/2RX/2RY/2S0/2S1/2S2/2SG/2S3/2SH/2S4/2S5-2

Ref. No. 番号	Part.No. 部品番号	Description 部品名称	Notes 備考	Revision 改訂	Quantity 個数			
					100(日本)	120	230	240
15	302S105530	LABEL OPERATION LCD 4 FRA	35ppm(A4)(BF)/40ppm(A4)(BF)				1	
16	302S105540	LABEL OPERATION LCD 4 SPA	35ppm(A4)(BF)/40ppm(A4)(BF)				1	
17	302S105550	LABEL OPERATION LCD 4 PTB	35ppm(A4)(BF)/40ppm(A4)(BF)				1	
18	302S105560	LABEL OPERATION LCD 4 GER	35ppm(A4)(BF)/40ppm(A4)(BF)				1	
19	302S105570	LABEL OPERATION LCD 4 ITA	35ppm(A4)(BF)/40ppm(A4)(BF)				1	
20	302S105580	LABEL OPERATION LCD 4 DUT	35ppm(A4)(BF)/40ppm(A4)(BF)				1	
21	302S105590	LABEL OPERATION LCD 4 RUS	35ppm(A4)(BF)/40ppm(A4)(BF)				1	
22	302S205530	LABEL OPERATION LCD 4 W FRA	35ppm(A4), 37ppm(Letter)(CF)/40ppm(A4), 42ppm(Letter)(CF)			1		
23	302S205540	LABEL OPERATION LCD 4 W SPA	35ppm(A4), 37ppm(Letter)(CF)/40ppm(A4), 42ppm(Letter)(CF)			1		
24	302S205550	LABEL OPERATION LCD 4 W PTB	35ppm(A4), 37ppm(Letter)(CF)/40ppm(A4), 42ppm(Letter)(CF)			1		
25	302S505530	LABEL OPERATION T RIGHT FRA	35ppm(A4)(DF)/40ppm(A4), 42ppm(Letter)(DF)			1	1	
26	302S505540	LABEL OPERATION T RIGHT SPA	35ppm(A4)(DF)/40ppm(A4), 42ppm(Letter)(DF)			1	1	
27	302S505550	LABEL OPERATION T RIGHT PTB	35ppm(A4)(DF)/40ppm(A4), 42ppm(Letter)(DF)			1	1	
28	302S505560	LABEL OPERATION T RIGHT GER	35ppm(A4)(DF)/40ppm(A4), 42ppm(Letter)(DF)				1	
29	302S505570	LABEL OPERATION T RIGHT ITA	35ppm(A4)(DF)/40ppm(A4), 42ppm(Letter)(DF)				1	
30	302S505580	LABEL OPERATION T RIGHT DUT	35ppm(A4)(DF)/40ppm(A4), 42ppm(Letter)(DF)				1	
31	302S505590	LABEL OPERATION T RIGHT RUS	35ppm(A4)(DF)/40ppm(A4), 42ppm(Letter)(DF)				1	
32	302S505730	LABEL OPERATION T LEFT FRA	35ppm(A4)(DF)/40ppm(A4), 42ppm(Letter)(DF)			1	1	
33	302S505740	LABEL OPERATION T LEFT SPA	35ppm(A4)(DF)/40ppm(A4), 42ppm(Letter)(DF)			1	1	
34	302S505750	LABEL OPERATION T LEFT PTB	35ppm(A4)(DF)/40ppm(A4), 42ppm(Letter)(DF)			1	1	
35	302S505760	LABEL OPERATION T LEFT GER	35ppm(A4)(DF)/40ppm(A4), 42ppm(Letter)(DF)				1	
36	302S505770	LABEL OPERATION T LEFT ITA	35ppm(A4)(DF)/40ppm(A4), 42ppm(Letter)(DF)				1	
37	302S505780	LABEL OPERATION T LEFT DUT	35ppm(A4)(DF)/40ppm(A4), 42ppm(Letter)(DF)				1	
38	302S505790	LABEL OPERATION T LEFT RUS	35ppm(A4)(DF)/40ppm(A4), 42ppm(Letter)(DF)				1	
39	302RW34030	LABEL QUIET-WIFI US	35ppm(A4), 37ppm(Letter)(C)(FRA/SPA/PTB)			1		
40	302RW34040	LABEL QUIET-WIFI NL	35ppm(A4), 37ppm(Letter)(C)(GER/FRA/ITA/SPA/DUT/RUS/PTB)					1
41	302RB34040	LABEL QUIET MODE US NL	35ppm(A4), 37ppm(Letter)(B)/40ppm(A4)(A)/40ppm(A4), 42ppm(Letter)(B)+	2: Add		1		1

• Parts with a Ref.No. of 500 and above in the illustration indicate they are not selected for service parts.

• イラスト中で 500 番台の Ref 番号が付いている部品はサービスパーツに選定されていません。

FIG. 38 Maintenance Kit

2RV/2RW/2RX/2RY/2S0/2S1/2S2/2SG/2S3/2SH/2S4/2S5-1

Ref. No. 番号	Part.No. 部品番号	Description 部品名称	Notes 備考	Revision 改訂	Quantity 個数			
					100(日本)	120	230	240
	1702RV0NL0	MK-1150/MAINTENANCE KIT		1:Part No-chg.			1	
	*302RV93010	DK-1150		1:Others			1	
	*302RV93020	DV-1150		1:Others			1	
	1702RV0JP0	MK-1151/MAINTENANCE KIT		1:Part No-chg.	1			
	*302RV93010	DK-1150		1:Others	1			
	*302RY93010	DV-1151		1:Others	1			
	1702RV0US0	MK-1152/MAINTENANCE KIT		1:Part No-chg.		1		
	*302RV93010	DK-1150		1:Others		1		
	*302RV93030	DV-1152		1:Others		1		
	1702RV0AS0	MK-1154/MAINTENANCE KIT	35ppm(A4),37ppm(Letter)(B)/35ppm(A4),37ppm(Letter)(C)/ 40ppm(A4)(A)/40ppm(A4),42ppm(Letter)(B)/40ppm(A4),42ppm(Let- ter)(A)/40ppm(A4)(BF)/40ppm(A4),42ppm(Letter)(DF)	1:Part No-chg.				1
	*302RV93010	DK-1150		1:Others				1
	*302RV93040	DV-1154		1:Others				1
	1702SG0AS0	MK-1184/MAINTENANCE KIT	35ppm(A4)(BF)/35ppm(A4)(DF)	1:Add				1
	*302RV93010	DK-1150		1:Add				1
	*302S193010	DV-1184		1:Add				1

• Parts with a Ref.No. of 500 and above in the illustration indicate they are not selected for service parts.

• イラスト中で 500 番台の Ref 番号が付いている部品はサービスパーツに選定されていません。

INDEX / 索引

Part.No. 部品番号	Description 部品名称	Fig.No.
1702RV0A00	MK-1154/MAINTENANCE KIT	38
1702RV0J00	MK-1151/MAINTENANCE KIT	38
1702RV0N00	MK-1150/MAINTENANCE KIT	38
1702RV0U00	MK-1152/MAINTENANCE KIT	38
1702SG0A00	MK-1184/MAINTENANCE KIT	38
36211110	PULLEY, LEADING FEED ADF	26
302F906230	PULLEY FEED ASSY	10
302F908310	PAD FRICTION MPF	11
302F908340	LOCK DLP	10
302F909171	RETARD ROLLER ASSY	9
302F909210	PAD BOTTOM	9
302F929260	PULLEY DU LOW	11
302FV45040	AC CORD ASSY	37
302FV94010	PARTS AC CORD EU SP	37
302FZ94420	PARTS, FAN COOLING CONVEYING SP	18
302H702590	BUSH SCREW	29
302H917230	BELT ISU	14
302HN06080	PULLEY PICKUP ASSY	10
302HN44150	SOLENOID FD ASSY	11
302HN44160	SOLENOID MPF	18
302HS06071	ACTUATOR EMPTY B	10
302HS06090	GEAR Z22S FEED	10
302HS08260	ROLLER M/P ASSY	10
302HS24250	BUSH TC R	12
302K306460	BUSH 4	12
302K394171	PARTS LCD COLOR S	20
302LC94283	PARTS MOTOR-BL W40 SP	18
302LV08080	PLATE BOTTOM MPF	11
302LV08110	SPRING SEPARATION MPF	11
302LV08180	ACTUATOR MPF	10
302LV08201	SPRING ACTUATOR MPF	10
302M294130	PARTS PWB ASSY THERMISTOR SP	7, 8
302M331100	GEAR Z45S	11
302ND94790	PARTS SPEAKER SP	7
302NG94220	PARTS FAN MOTOR SP	7, 8
302NR94010	PARTS CLUTCH 35 Z35R SP	18, 29
302P794010	PARTS SENSOR OPT. SP	10, 14, 27, 28, 29
302R708310	PAD SEPARATION	11
302R794010	PARTS WIFI UNIT SP	18
302R794130	PARTS PLATE ORIGINAL SP	24
302R794220	PARTS PWB KEY RIGHT ASSY SP	20
302R794250	PARTS PWB KEY LEFT ASSY SP	20
302R794320	PARTS SENSOR A4 CIS SP	14, 27
302R794330	PARTS FAX UNIT J SP	7
302R794340	PARTS FAX UNIT U SP	7
302R794380	PARTS MOTOR ISU SP	14
302RB05020	KEY OPERATION	22
302RB05030	KEY QUIET A	22
302RB05040	INDICATOR	22
302RB05100	KEY QUIET B	22
302RB05140	KEY OPERATION JP	22

2RT/2RV/2RW/2RX/2RY/2S0/2S1/2S2/2SG/2S3/2SH/2S4/2S5-6

Part.No. 部品番号	Description 部品名称	Fig.No.
302RB34010	LABEL INDICATOR W	22
302RB34020	LABEL QUIET MODE EN	22
302RB34030	LABEL QUIET MODE JP	22
302RB34040	LABEL QUIET MODE US NL	37
302RC34010	LABEL INDICATOR	22
302RH94110	PARTS THERMOPILE ASSY SP	7, 8
302RV02420	RACK FRONT	3
302RV04011	COVER TOP	22
302RV04020	LID TOP	22
302RV04031	COVER LEFT	2
302RV04040	COVER RIGHT	2
302RV04050	COVER FRONT	4
302RV04060	COVER RIGHT REAR	2
302RV04070	COVER TOP REAR	2
302RV04080	COVER LEFT REAR	1, 2
302RV04100	COVER WIFI	2
302RV04130	COVER FRONT UP	4
302RV04150	KEY POWER	3, 4
302RV04160	LEVER CONTAINER	3, 4
302RV04220	STOPPER	3, 22
302RV04370	STRAP COVER FRONT	3, 4
302RV05010	KEY GO-CANCEL	22
302RV05020	KEY QUIET-WIFI	22
302RV05030	COVER LED	22
302RV05090	KEY WIFI	22
302RV06040	SHAFT FEED R	10
302RV06080	ACTUATOR EMPTY A	10
302RV08010	FRAME MPF	10
302RV08021	GUIDE TURN MPF	11
302RV08060	GEAR Z14S	10
302RV08070	SHAFT FEED MPF	10
302RV09030	COVER CASSETTE	9
302RV09040	PLATE BOTTOM	9
302RV09050	SPRING BOTTOM	9
302RV09080	CURSOR LEFT	9
302RV09090	CURSOR RIGHT	9
302RV09100	CURSOR END	9
302RV09110	GUIDE RETARD	9
302RV09120	HOLDER RETARD	9
302RV09130	SPRING RETARD	9
302RV09140	PAPER INDICATOR	9
302RV09150	LOCK BOTTOM	9
302RV09180	SPRING LOCK BOTTOM	9
302RV24080	ACTUATOR REGIST	12
302RV24110	BUSH REGIST LOW L	12
302RV24120	BUSH REGIST LOW R	12
302RV24160	GEAR TRANS Z17L	12
302RV24190	BRUSH DISCHARGER	12
302RV24330	SPRING ACTUATOR REGIST	12
302RV24340	SPRING GUIDE REGIST	12
302RV24460	BUSH DU	12

2RT/2RV/2RW/2RX/2RY/2S0/2S1/2S2/2SG/2S3/2SH/2S4/2S5-6

Part.No. 部品番号	Description 部品名称	Fig.No.
302RV24500	HOLDER DC BRUSH	12
302RV24900	BRUSH DC DISCHARGER	12
302RV28090	COVER REAR	1, 2
302RV28110	COVER CASSETTE REAR	1, 2
302RV28130	GEAR Z21S	11
302RV29060	GEAR Z25L	12
302RV29070	GEAR Z23L	12
302RV31040	GEAR Z69R-Z26L	18
302RV31080	GEAR Z61R-Z25R	18
302RV34010	EMBLEM MACHINE NUMBER	5
302RV34020	LABEL C	12
302RV34070	LABEL JAM OPERATION	3, 4
302RV34080	LABEL CONTAINER OPERATION	3, 4
302RV46010	CONN.CORD ASSY FFC PANEL	30, 34, 36
302RV46020	CONN.CORD ASSY SENSOR(LEFT)	30, 34
302RV46050	CONN.CORD ASSY INTER LOCK	31, 35
302RV46060	CONN.CORD ASSY MAIN MOTOR	30, 34
302RV46070	CONN.CORD ASSY CL. (FRONT)	30, 34
302RV46080	CONN.CORD ASSY 03CZ-03XR	30, 34
302RV46090	CONN.CORD ASSY FEED SENSOR	30, 34
302RV46100	CONN.CORD ASSY 12CZ-12CZ	31, 35
302RV46110	CONN.CORD ASSY PF	31, 35
302RV46140	CONN.CORD ASSY 10CK-10CK	31, 35
302RV46150	CONN.CORD ASSY MPF SOL	30, 34
302RV46160	CONN.CORD ASSY FFC APC	13, 32, 36
302RV46170	CONN.CORD ASSY USB FRONT	36
302RV46180	CONN.CORD ASSY FFC PANEL	22, 36
302RV46250	CONN.CORD ASSY 03CZ-03XR	30, 34
302RV93020	DV-1150	16
302RV93030	DV-1152	16
302RV93040	DV-1154	16
302RV93070	LK-1150	13
302RV93080	MC-1150	15
302RV94010	PARTS TRAY MPF ASSY SP	3, 4
302RV94020	PARTS PLATE DRIVE FUSER ASSY SP	6
302RV94050	PARTS GEAR YUUSEI A ASSY SP	11
302RV94060	PARTS GEAR YUUSEI B ASSY SP	11
302RV94082	PARTS PWB MAIN ENGINE ASSY SP	19
302RV94093	PARTS PWB MAIN ENGINE ASSY EU SP	19
302RV94100	PARTS PWB L PANEL ASSY SP	22
302RV94110	PARTS PWB ERASER ASSY SP	7, 8
302RV94120	PARTS PWB FRONT USB ASSY SP	18
302RV94130	PARTS PWB SWITCH ASSY SP	18
302RV94140	PARTS PWB ASSY FULL SENSOR SP	7, 8
302RV94150	PARTS PWB THERMISTOR ASSY SP	7, 8
302RV94160	PARTS PWB CONTAINER CONNECT ASSY SP	10
302RV94170	PARTS PWB ASSY EMPTY SENSOR SP	10
302RV94180	PARTS DC MOTOR ASSY SP	6
302RV94190	PARTS UNIT HIGH VOLTAGE SP	12
302RV94200	PARTS UNIT HIGH VOLTAGE J SP	12
302RV94210	PARTS UNIT LOW VOLTAGE 100V SP	19

Part.No. 部品番号	Description 部品名称	Fig.No.
302RV94220	PARTS UNIT LOW VOLTAGE 230V SP	19
302RV94230	PARTS ROLLER MIDDLE SP	10
302RV94240	PARTS ROLLER REGIST UP SP	12
302RV94250	PARTS ROLLER REGIST LOW SP	12
302RV94270	PARTS ROLLER DU SP	12
302RV94280	PARTS ROLLER TRANSFER E SP	12
302RV94290	PARTS ROLLER TRANSFER A SP	12
302RV94300	PARTS ROLLER FD UP B SP	11
302RV94330	PARTS FUSER EXIT ASSY SP	17
302RW04011	COVER TOP	22
302RW05020	COVER LED	22
302RW34010	LABEL QUIET-WIFI	22
302RW34020	EMBLEM MACHINE NUMBER	5
302RW34030	LABEL QUIET-WIFI US	37
302RW34040	LABEL QUIET-WIFI NL	37
302RW94011	PARTS PWB MAIN ENGINE ASSY SP	19
302RW94021	PARTS PWB MAIN ENGINE ASSY EU SP	19
302RX04011	COVER TOP	22
302RX04020	COVER FRONT	4
302RX05070	PANEL LCD	22
302RX34010	EMBLEM MACHINE NUMBER	5
302RX46010	CONN.CORD ASSY FFC PANEL	22
302RX94012	PARTS PWB MAIN ENGINE ASSY SP	19
302RX94023	PARTS PWB MAIN ENGINE ASSY EU SP	19
302RX94030	PARTS PWB P PANEL ASSY SP	22
302RY05010	PANEL LCD W	22
302RY34010	EMBLEM MACHINE NUMBER	5
302RY93010	DV-1151	16
302RY94012	PARTS PWB MAIN ENGINE ASSY SP	19
302RY94021	PARTS PWB MAIN ENGINE ASSY EU SP	19
302S002030	RACK LID	3
302S004011	COVER TOP	3
302S004020	LID TOP	3
302S004031	COVER LEFT	1
302S004040	COVER RIGHT	1
302S004050	COVER FRONT	3
302S004060	COVER FRONT UP	3
302S004070	COVER LEFT UP	1
302S004080	COVER RIGHT UP	1
302S004090	COVER REAR UP	1
302S004100	COVER ISU LEFT	1
302S004110	COVER ISU RIGHT	1
302S004130	STAY JOINT ISU L	7
302S004140	STAY JOINT ISU R	7
302S004170	COVER ISU LEFT LGL	1
302S004180	COVER ISU RIGHT LGL	1
302S004200	COVER DIMM	1
302S004210	COVER RIGHT REAR	1
302S005510	LABEL OPERATION LCD EN	21
302S005530	LABEL OPERATION LCD FRA	37
302S005540	LABEL OPERATION LCD SPA	37

2RT/2RV/2RW/2RX/2RY/2S0/2S1/2S2/2SG/2S3/2SH/2S4/2S5-6

Part.No. 部品番号	Description 部品名称	Fig.No.
302S005550	LABEL OPERATION LCD PTB	37
302S005560	LABEL OPERATION LCD GER	37
302S005570	LABEL OPERATION LCD ITA	37
302S005580	LABEL OPERATION LCD DUT	37
302S005590	LABEL OPERATION LCD RUS	37
302S017340	BELT ISU A	14
302S018040	COVER DP FEED	24
302S018050	COVER FRONT	24
302S018060	COVER REAR	24
302S018121	GUIDE READING	24, 27, 28
302S018150	ACTUATOR TIMING A	27, 28
302S018170	GEAR Z25L	27
302S018180	ACTUATOR SET	27, 28
302S018250	STOPPER ORIGINAL	25
302S018260	ACTUATOR TIMING C	27, 28
302S018370	GEAR Z30R	27, 28
302S018440	COVER TABLE	26
302S018491	EMBLEM	5
302S018560	ACTUATOR BASE	24
302S018610	HINGE LOW	25
302S018620	HINGE UP	25
302S018690	COVER P1	27, 28
302S034010	EMBLEM MACHINE NUMBER	5
302S034030	LABEL DP TABLE	26
302S046010	CONN.CORD ASSY ISU MOTOR	33
302S046020	CONN.CORD ASSY FFC ISU	14, 33
302S046030	CONN.CORD ASSY DP	33
302S046040	CONN.CORD ASSY 08CZ-08CZ	32
302S046050	CONN.CORD ASSY USB FRONT	32
302S046060	CONN.CORD ASSY DP INCH	33
302S093010	PARTS DP UNIT SP (E)	23
302S093020	PARTS DP UNIT SP (U)	23
302S094010	PARTS MOTOR-PM DP SP	29
302S094020	PARTS TABLE MAIN ASSY SP	26
302S094030	PARTS FRAME ISU TOP A ASSY SP	14
302S094050	PARTS HOLDER PAD ASSY SP	26
302S094062	PARTS PWB MAIN ENGINE ASSY SP	19
302S094073	PARTS PWB MAIN ENGINE ASSY EU SP	19
302S094080	PARTS PWB M PANEL ASSY SP	21
302S094090	PARTS UNIT LOW VOLTAGE 100V SP	19
302S094100	PARTS UNIT LOW VOLTAGE 230V SP	19
302S105510	LABEL OPERATION LCD 4 EN	21
302S105530	LABEL OPERATION LCD 4 FRA	37
302S105540	LABEL OPERATION LCD 4 SPA	37
302S105550	LABEL OPERATION LCD 4 PTB	37
302S105560	LABEL OPERATION LCD 4 GER	37
302S105570	LABEL OPERATION LCD 4 ITA	37
302S105580	LABEL OPERATION LCD 4 DUT	37
302S105590	LABEL OPERATION LCD 4 RUS	37
302S134010	EMBLEM MACHINE NUMBER	5
302S146010	CONN.CORD ASSY FAX	33

Part.No. 部品番号	Description 部品名称	Fig.No.
302S146020	CONN.CORD ASSY FAX CONN	33
302S193010	DV-1184	16
302S194020	PARTS PWB MAIN ENGINE ASSY SP	19
302S194033	PARTS PWB MAIN ENGINE ASSY EU SP	19
302S205510	LABEL OPERATION LCD 4 W EN	21
302S205520	LABEL OPERATION LCD 4 W JP	21
302S205530	LABEL OPERATION LCD 4 W FRA	37
302S205540	LABEL OPERATION LCD 4 W SPA	37
302S205550	LABEL OPERATION LCD 4 W PTB	37
302S234010	EMBLEM MACHINE NUMBER	5
302S294021	PARTS PWB MAIN ENGINE ASSY SP	19
302S318030	ACTUATOR TIMING B	27
302S334010	EMBLEM MACHINE NUMBER	5
302S334030	LABEL DP TABLE	26
302S346010	CONN.CORD ASSY FFC DP	33
302S346020	CONN.CORD ASSY DP	33
302S346030	CONN.CORD ASSY FFC DP INCH	33
302S346040	CONN.CORD ASSY DP INCH	33
302S393010	PARTS DP UNIT SP (E)	23
302S393020	PARTS DP UNIT SP (U)	23
302S394010	PARTS FRAME ISU TOP L ASSY SP	14
302S394022	PARTS PWB MAIN ENGINE ASSY SP	19
302S394033	PARTS PWB MAIN ENGINE ASSY EU SP	19
302S404010	LID TOP	3
302S404020	COVER REAR UP FAX	1
302S404060	COVER FRONT	3
302S434010	EMBLEM MACHINE NUMBER	5
302S494012	PARTS PWB MAIN ENGINE ASSY SP	19
302S494023	PARTS PWB MAIN ENGINE ASSY EU SP	19
302S505510	LABEL OPERATION T RIGHT EN	20
302S505520	LABEL OPERATION T RIGHT JP	20
302S505530	LABEL OPERATION T RIGHT FRA	37
302S505540	LABEL OPERATION T RIGHT SPA	37
302S505550	LABEL OPERATION T RIGHT PTB	37
302S505560	LABEL OPERATION T RIGHT GER	37
302S505570	LABEL OPERATION T RIGHT ITA	37
302S505580	LABEL OPERATION T RIGHT DUT	37
302S505590	LABEL OPERATION T RIGHT RUS	37
302S505710	LABEL OPERATION T LEFT EN	20
302S505720	LABEL OPERATION T LEFT JP	20
302S505730	LABEL OPERATION T LEFT FRA	37
302S505740	LABEL OPERATION T LEFT SPA	37
302S505750	LABEL OPERATION T LEFT PTB	37
302S505760	LABEL OPERATION T LEFT GER	37
302S505770	LABEL OPERATION T LEFT ITA	37
302S505780	LABEL OPERATION T LEFT DUT	37
302S505790	LABEL OPERATION T LEFT RUS	37
302S534010	EMBLEM MACHINE NUMBER	5
302S546030	CONN.CORD ASSY USB PANEL	32
302S546040	CONN.CORD ASSY PANEL	32
302S546050	CONN.CORD ASSY FFC KEY RIGHT	20

PF-1100

First Edition
July 2016

—— CONTENTS / 目次 ——

FIG. 1	Paper Cassettes	2
FIG. 2	Paper Feed Section	4
FIG. 3	Wire Section.....	6
• INDEX / 索引		8

FIG. 1 Paper Cassettes

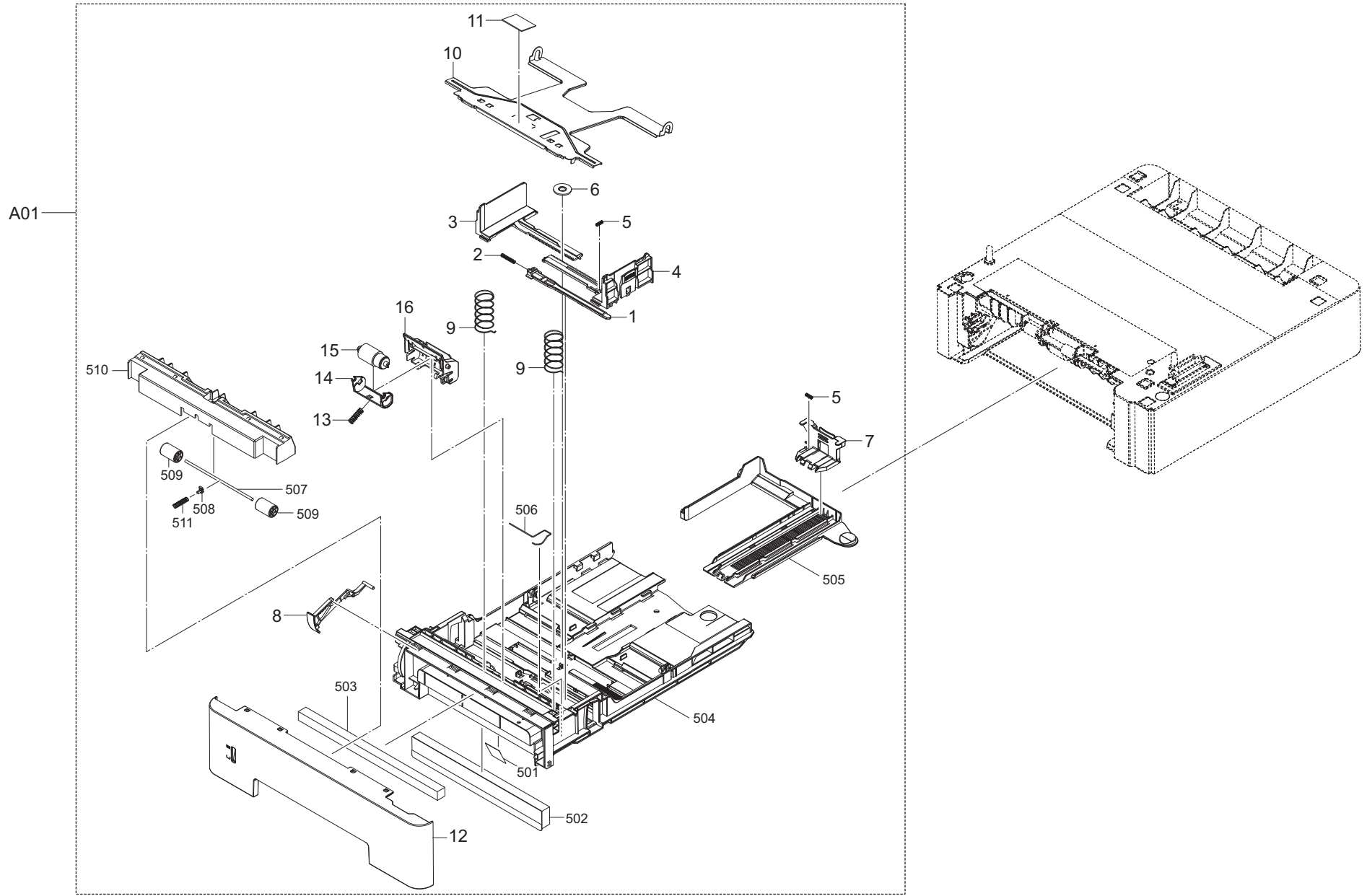


FIG. 1 Paper Cassettes

3RA

Ref. No. 番号	Part.No. 部品番号	Description 部品名称	Notes 備考	Revision 改訂	Quantity 個数			
					100(日本)	120	230	240
A01	303RA93010	CT-1151			1	1	1	1
1	.302RV09150	LOCK BOTTOM			1	1	1	1
2	.302RV09180	SPRING LOCK BOTTOM			1	1	1	1
3	.302RV09080	CURSOR LEFT			1	1	1	1
4	.302RV09090	CURSOR RIGHT			1	1	1	1
5	.3V2BS06100	SPRING END/3070P319 A4			2	2	2	2
6	.5MVG127DN071	GEAR CASSETTE			1	1	1	1
7	.302RV09100	CURSOR END			1	1	1	1
8	.302RV09140	PAPER INDICATOR			1	1	1	1
9	.302RV09050	SPRING BOTTOM			2	2	2	2
10	.302RV09040	PLATE BOTTOM			1	1	1	1
11	.302F909210	PAD BOTTOM			1	1	1	1
12	.303RA09010	COVER CASSETTE			1	1	1	1
13	.302RV09130	SPRING RETARD			1	1	1	1
14	.302RV09120	HOLDER RETARD			1	1	1	1
15	.302F909171	RETARD ROLLER ASSY			1	1	1	1
16	.302RV09110	GUIDE RETARD			1	1	1	1

• Parts with a Ref.No. of 500 and above in the illustration indicate they are not selected for service parts.

• イラスト中で 500 番台の Ref 番号が付いている部品はサービスパーツに選定されていません。

FIG. 2 Paper Feed Section

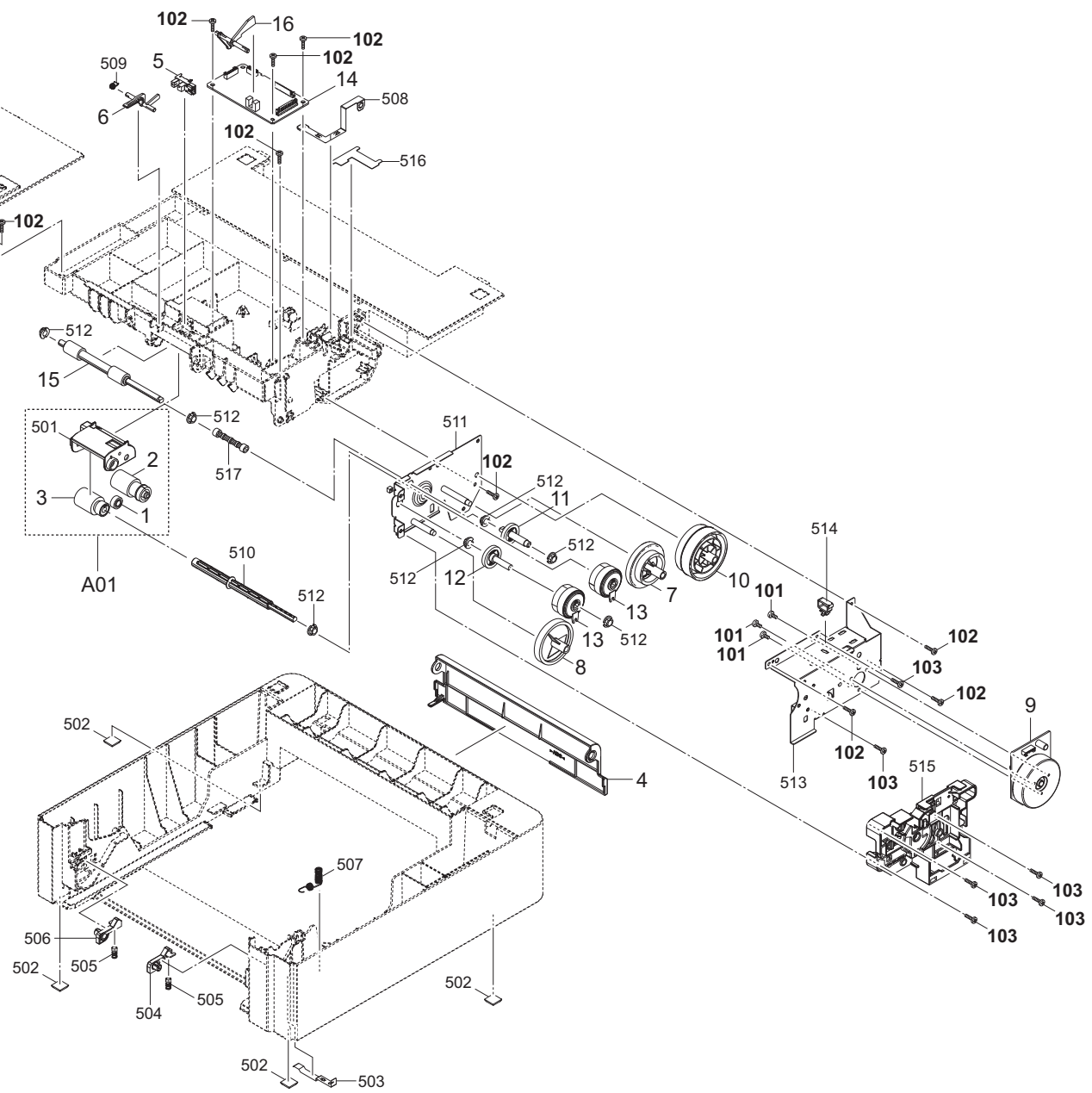
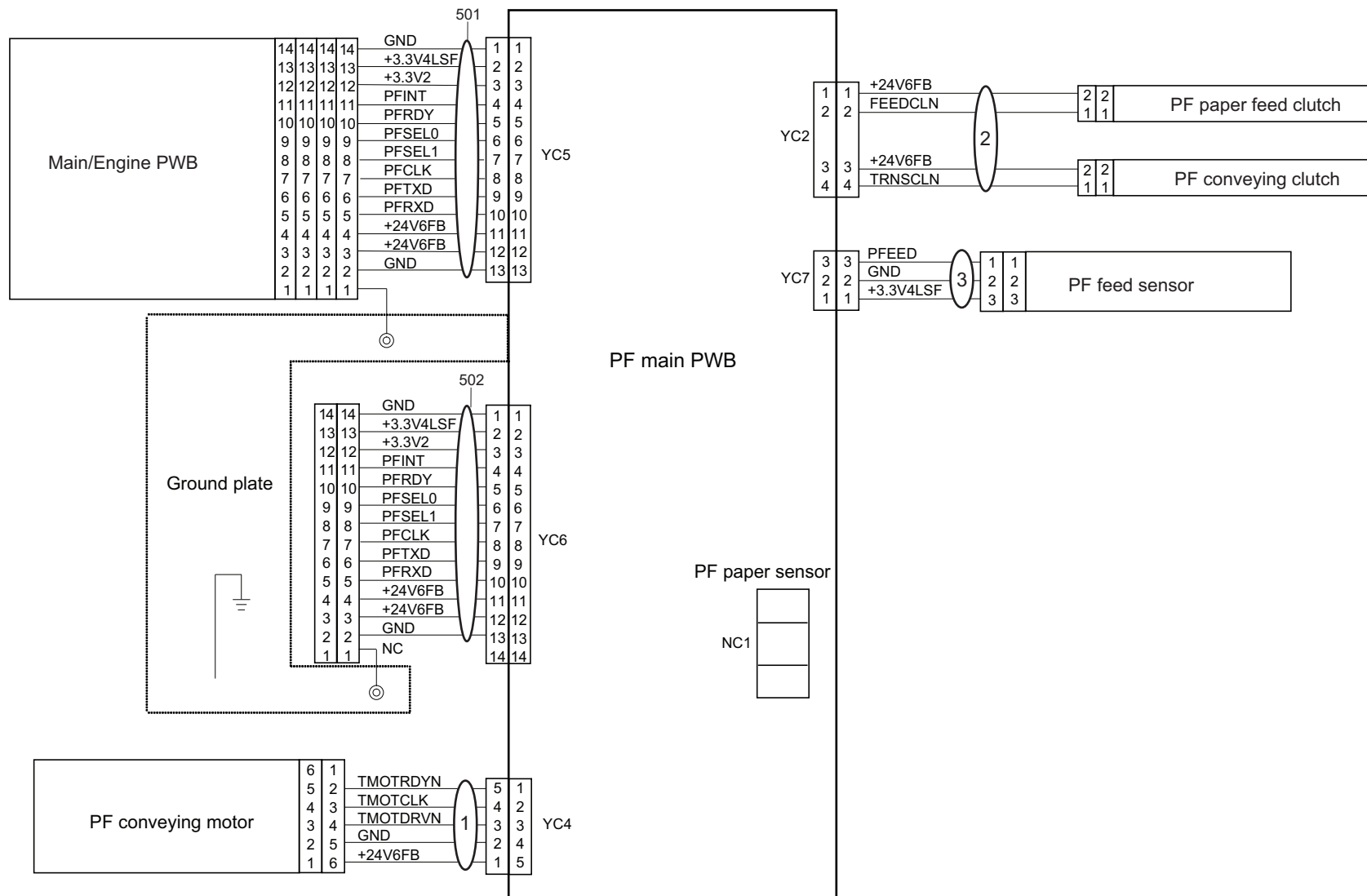


FIG. 3 Wire Section



KYOCERA Document Solutions America, Inc.**Headquarters**

225 Sand Road,
Fairfield, New Jersey 07004-0008, USA
Phone: +1-973-808-8444
Fax: +1-973-882-6000

Latin America

8240 NW 52nd Terrace, Suite 301
Miami, Florida 33166, USA
Phone: +1-305-421-6640
Fax: +1-305-421-6666

KYOCERA Document Solutions Canada, Ltd.

6120 Kestrel Rd., Mississauga, ON L5T 1S8,
Canada
Phone: +1-905-670-4425
Fax: +1-905-670-8116

KYOCERA Document Solutions**Mexico, S.A. de C.V.**

Calle Arquimedes No. 130, 4 Piso, Colonia Polanco
Chapultepec, Delegacion Miguel Hidalgo,
Distrito Federal, C.P. 11560, México
Phone: +52-555-383-2741
Fax: +52-555-383-7804

KYOCERA Document Solutions Brazil, Ltda.

Alameda África, 545, Pólo Empresarial Consbrás,
Tamboré, Santana de Parnaíba, State of São Paulo,
CEP 06543-306, Brazil
Phone: +55-11-2424-5353
Fax: +55-11-2424-5304

KYOCERA Document Solutions Chile SpA

Jose Ananias 505, Macul. Santiago, Chile
Phone: +56-2-2670-1900
Fax: +56-2-2350-7150

KYOCERA Document Solutions**Australia Pty. Ltd.**

Level 3, 6-10 Talavera Road North Ryde N.S.W, 2113,
Australia
Phone: +61-2-9888-9999
Fax: +61-2-9888-9588

KYOCERA Document Solutions**New Zealand Ltd.**

Ground Floor, 19 Byron Avenue, Takapuna, Auckland,
New Zealand
Phone: +64-9-415-4517
Fax: +64-9-415-4597

KYOCERA Document Solutions Asia Limited

13/F.,Mita Centre, 552-566, Castle Peak Road Tsuen
Wan, New Territories, Hong Kong
Phone: +852-2496-5678
Fax: +852-2610-2063

KYOCERA Document Solutions**(China) Corporation**

8F, No. 288 Nanjing Road West, Huangpu District,
Shanghai,200003, China
Phone: +86-21-5301-1777
Fax: +86-21-5302-8300

KYOCERA Document Solutions**(Thailand) Corp., Ltd.**

335 Ratchadapisek Road, Wongsawang, Bangsue,
Bangkok 10800,
Thailand
Phone: +66-2-586-0333
Fax: +66-2-586-0278

KYOCERA Document Solutions**Singapore Pte. Ltd.**

12 Tai Seng Street #04-01A,
Luxasia Building, Singapore 534118
Phone: +65-6741-8733
Fax: +65-6748-3788

KYOCERA Document Solutions**Hong Kong Limited**

16/F.,Mita Centre, 552-566, Castle Peak Road Tsuen
Wan, New Territories, Hong Kong
Phone: +852-3582-4000
Fax: +852-3185-1399

KYOCERA Document Solutions**Taiwan Corporation**

6F., No.37, Sec. 3, Minquan E. Rd.,
Zhongshan Dist., Taipei 104, Taiwan R.O.C.
Phone: +886-2-2507-6709
Fax: +886-2-2507-8432

KYOCERA Document Solutions Korea Co., Ltd.

#10F Daewoo Foundation Bldg 18, Toegye-ro, Jung-gu,
Seoul, Korea
Phone: +822-6933-4050
Fax: +822-747-0084

KYOCERA Document Solutions**India Private Limited**

Second Floor, Centrum Plaza, Golf Course Road,
Sector-53, Gurgaon, Haryana 122002, India
Phone: +91-0124-4671000
Fax: +91-0124-4671001

KYOCERA Document Solutions Europe B.V.

Bloemlaan 4, 2132 NP Hoofddorp,
The Netherlands
Phone: +31-20-654-0000
Fax: +31-20-653-1256

KYOCERA Document Solutions Nederland B.V.

Beechavenue 25, 1119 RA Schiphol-Rijk,
The Netherlands
Phone: +31-20-5877200
Fax: +31-20-5877260

KYOCERA Document Solutions (U.K.) Limited

Eldon Court, 75-77 London Road,
Reading, Berkshire RG1 5BS,
United Kingdom
Phone: +44-118-931-1500
Fax: +44-118-931-1108

KYOCERA Document Solutions Italia S.p.A.

Via Monfalcone 15, 20132, Milano, Italy,
Phone: +39-02-921791
Fax: +39-02-92179-600

KYOCERA Document Solutions Belgium N.V.

Sint-Martinusweg 199-201 1930 Zaventem,
Belgium
Phone: +32-2-7209270
Fax: +32-2-7208748

KYOCERA Document Solutions France S.A.S.

Espace Technologique de St Aubin
Route de l'Orme 91195 Gif-sur-Yvette CEDEX,
France
Phone: +33-1-69852600
Fax: +33-1-69853409

KYOCERA Document Solutions Espana, S.A.

Edificio Kyocera, Avda. de Manacor No.2,
28290 Las Matas (Madrid), Spain
Phone: +34-91-6318392
Fax: +34-91-6318219

KYOCERA Document Solutions Finland Oy

Atomitie 5C, 00370 Helsinki,
Finland
Phone: +358-9-47805200
Fax: +358-9-47805212

KYOCERA Document Solutions Europe B.V., Amsterdam (NL) Zürich Branch

Hohlstrasse 614, 8048 Zürich,
Switzerland
Phone: +41-44-9084949
Fax: +41-44-9084950

KYOCERA Bilgitas Document Solutions Turkey A.S.

Altunizade Mah. Prof. Fahrettin Kerim Gökay Cad.
No:45
34662 ÜSKÜDAR İSTANBUL, TURKEY
Phone: +90-216-339-0020
Fax: +90-216-339-0070

KYOCERA Document Solutions Deutschland GmbH

Otto-Hahn-Strasse 12, 40670 Meerbusch,
Germany
Phone: +49-2159-9180
Fax: +49-2159-918100

KYOCERA Document Solutions Austria GmbH

Wienerbergstraße 11, Turm A, 18. OG, 1100 Wien,
Austria
Phone: +43-1-863380
Fax: +43-1-86338-400

KYOCERA Document Solutions Nordic AB

Esbogatan 16B 164 75 Kista, Sweden
Phone: +46-8-546-550-00
Fax: +46-8-546-550-10

京セラドキュメントソリューションズ株式会社
京セラドキュメントソリューションズジャパン株式会社

 **KYOCERA** は京セラ株式会社の登録商標です。

KYOCERA Document Solutions Norge Nuf

Olaf Helsetsv. 6, 0619 Oslo, Norway
Phone: +47-22-62-73-00
Fax: +47-22-62-72-00

KYOCERA Document Solutions Danmark A/S

Ejby Industrivej 60, DK-2600 Glostrup,
Denmark
Phone: +45-70223880
Fax: +45-45765850

KYOCERA Document Solutions Portugal Lda.

Rua do Centro Cultural, 41 (Alvalade) 1700-106 Lisboa,
Portugal
Phone: +351-21-843-6780
Fax: +351-21-849-3312

KYOCERA Document Solutions South Africa (Pty) Ltd.

KYOCERA House, Hertford Office Park,
90 Bekker Road (Cnr. Allandale), Midrand, South Africa
Phone: +27-11-540-2600
Fax: +27-11-466-3050

KYOCERA Document Solutions Russia LLC.

Building 2, 51/4, Schepkina St., 129110, Moscow,
Russia
Phone: +7(495)741-0004
Fax: +7(495)741-0018

KYOCERA Document Solutions Middle East

Dubai Internet City, Bldg. 17,
Office 157 P.O. Box 500817, Dubai,
United Arab Emirates
Phone: +971-04-433-0412

KYOCERA Document Solutions Inc.

2-28, 1-chome, Tamatsukuri, Chuo-ku
Osaka 540-8585, Japan
Phone: +81-6-6764-3555
<http://www.kyoceradocumentsolutions.com>